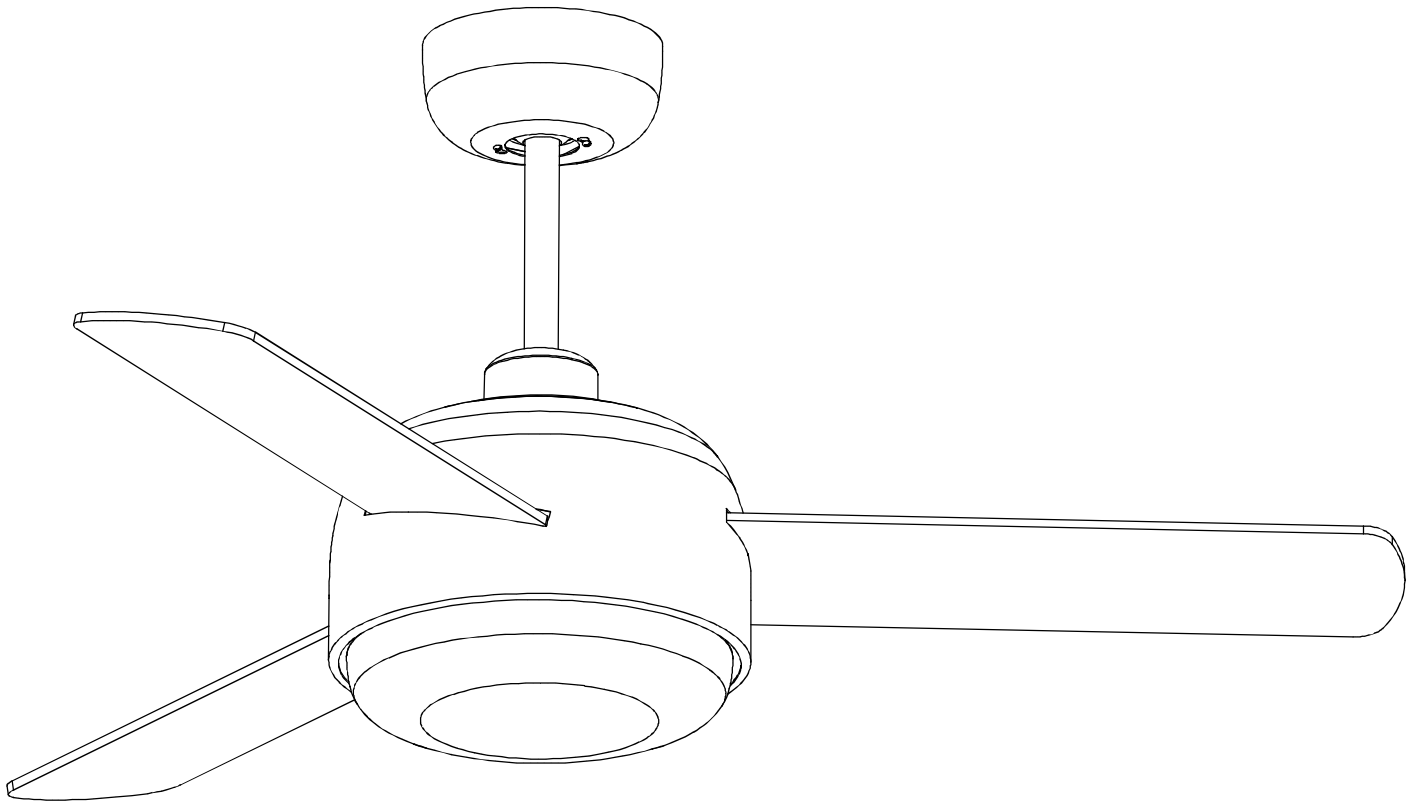




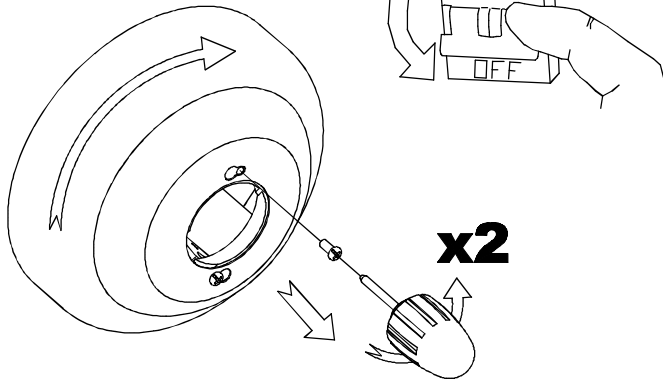
LED S-C4



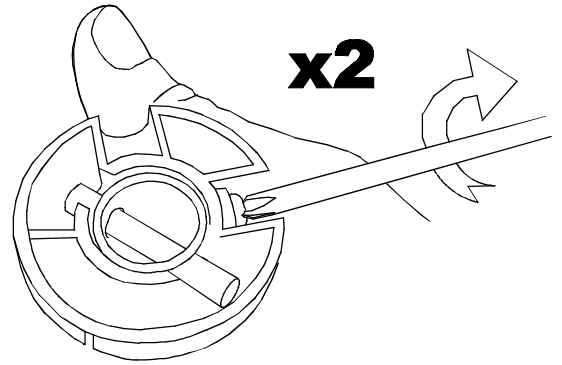
30-4864-16-F9



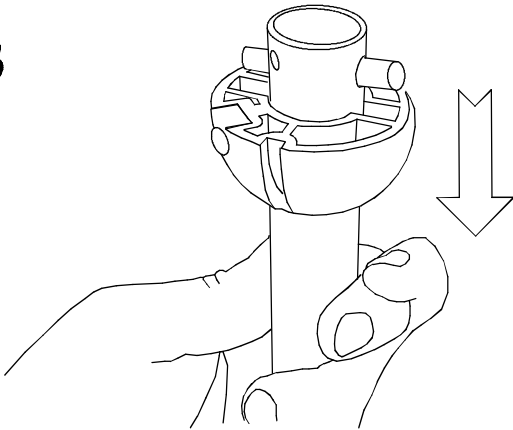
1



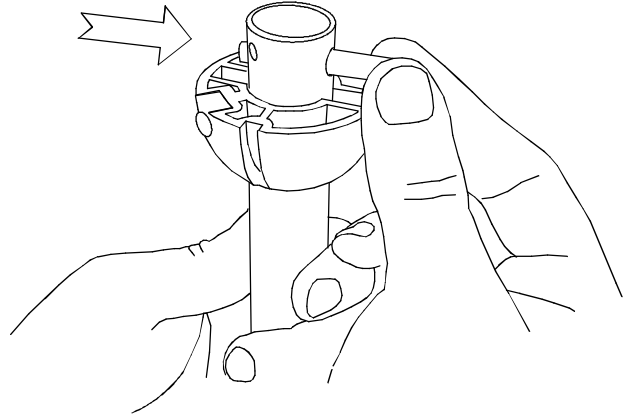
2



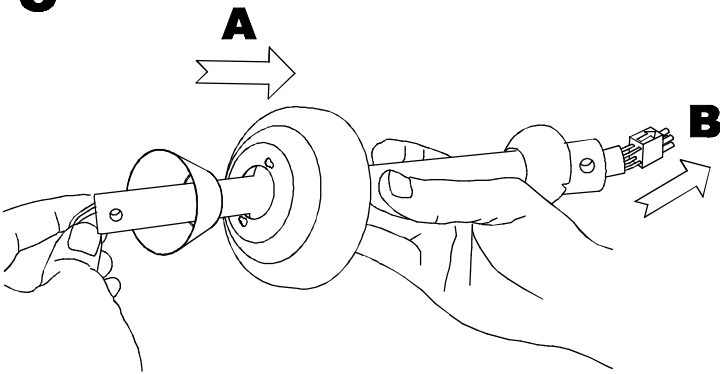
3



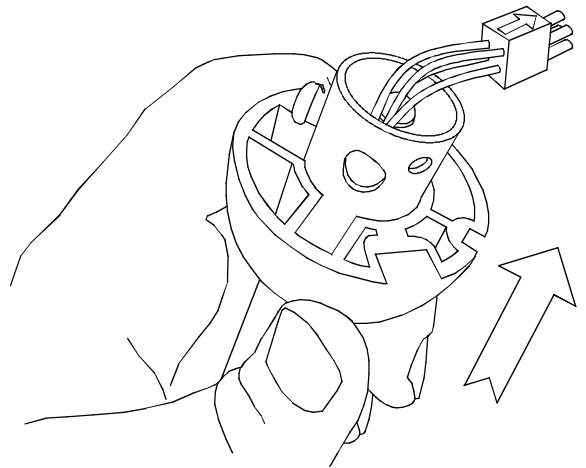
4



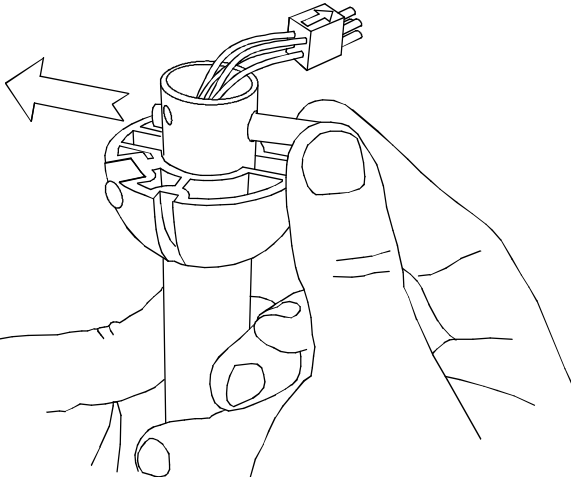
5



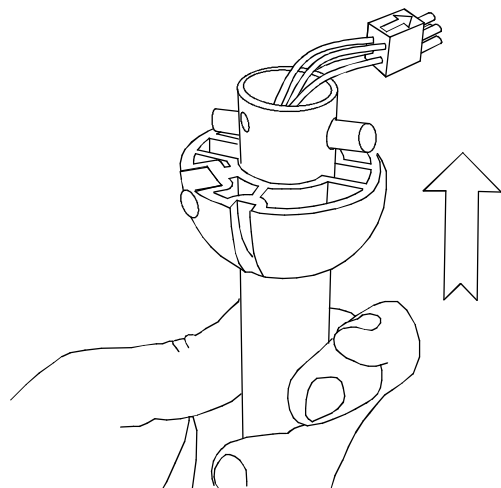
6



7

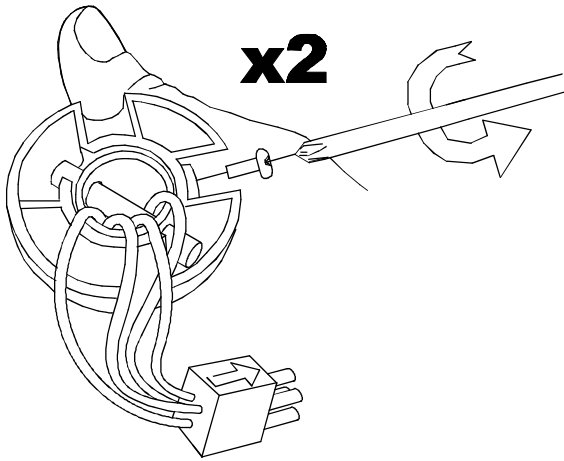


8

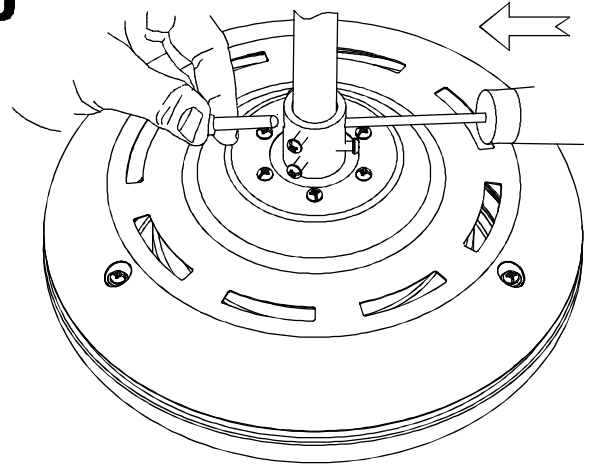




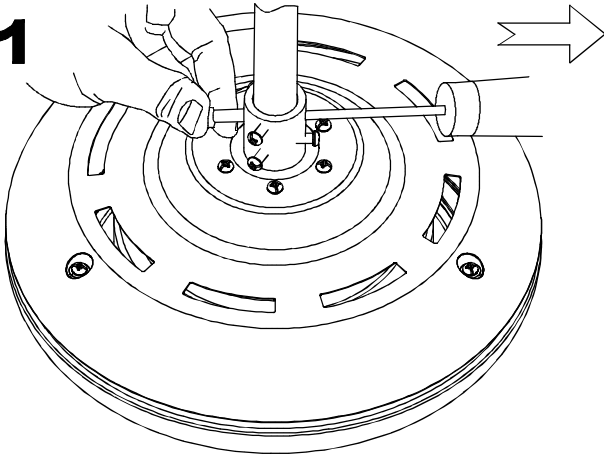
9



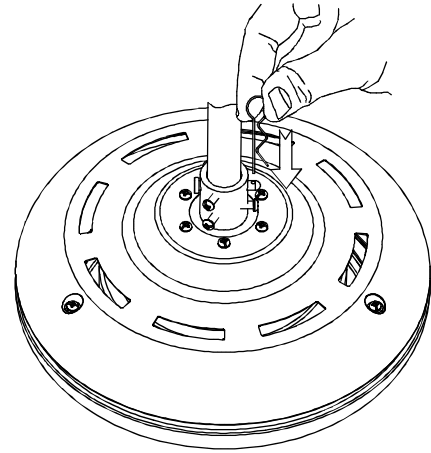
10



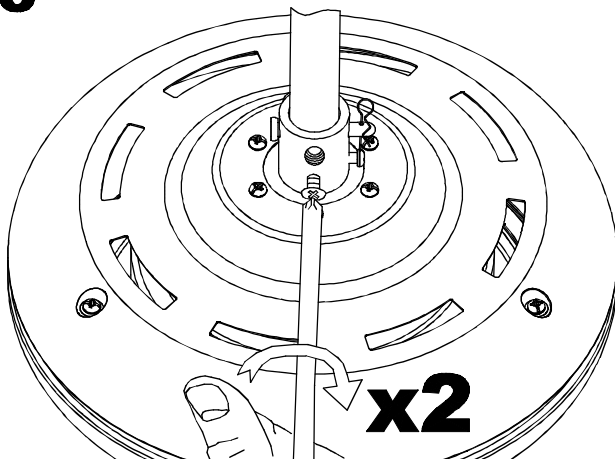
11



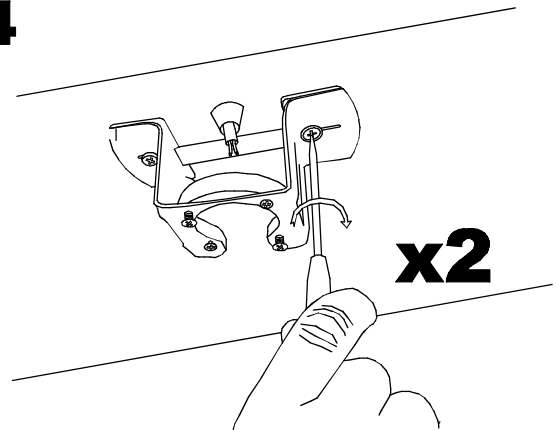
12



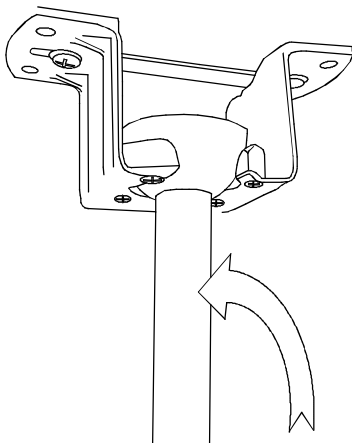
13



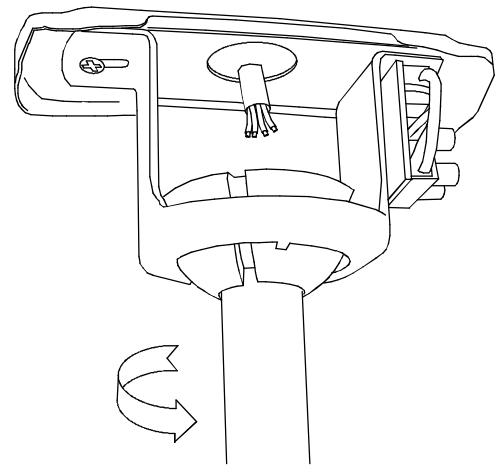
14



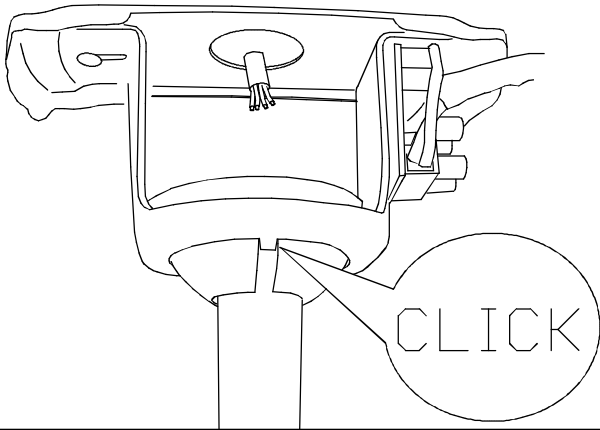
15



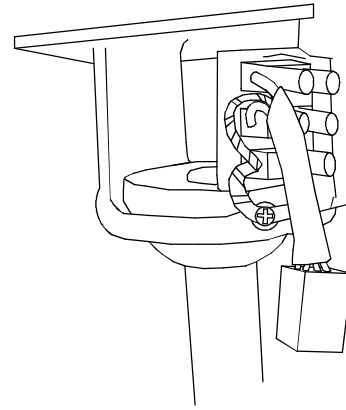
16



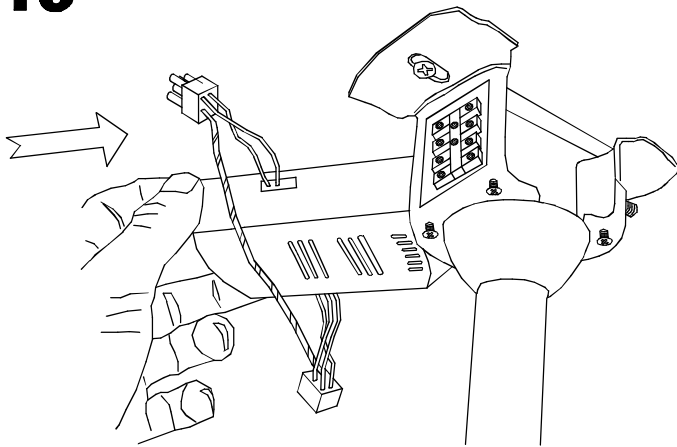
17



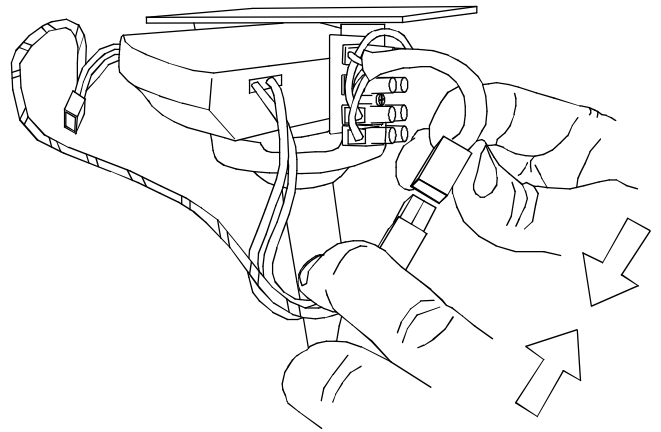
18



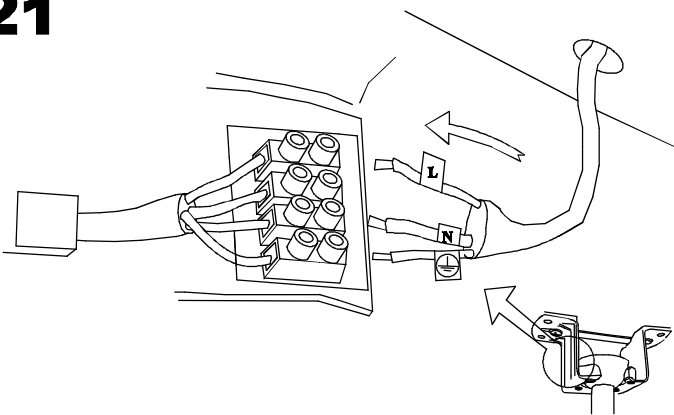
19



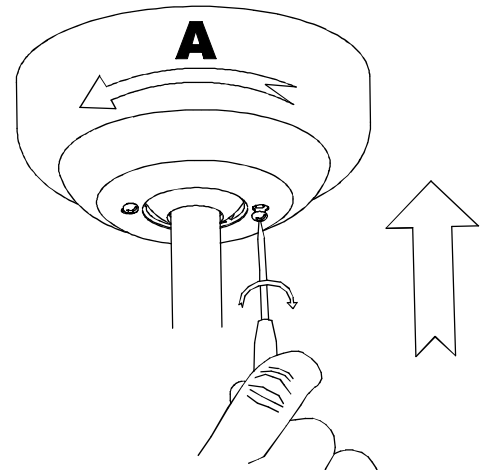
20



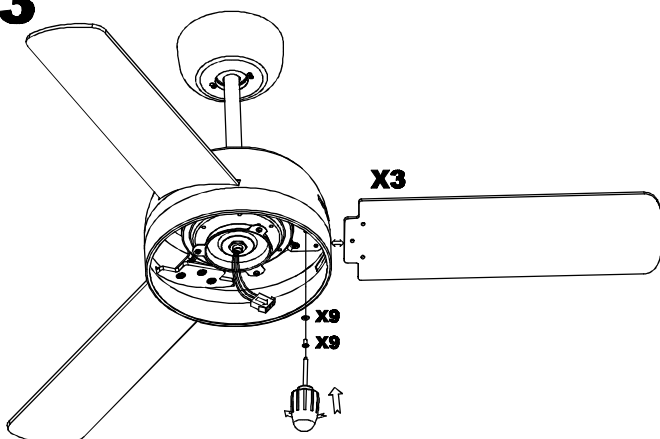
21



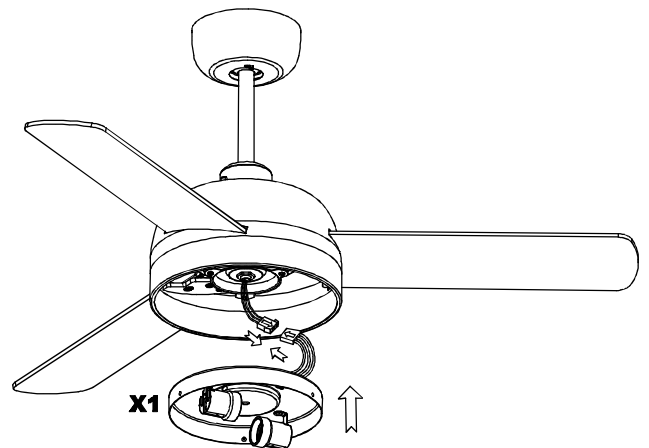
22



23

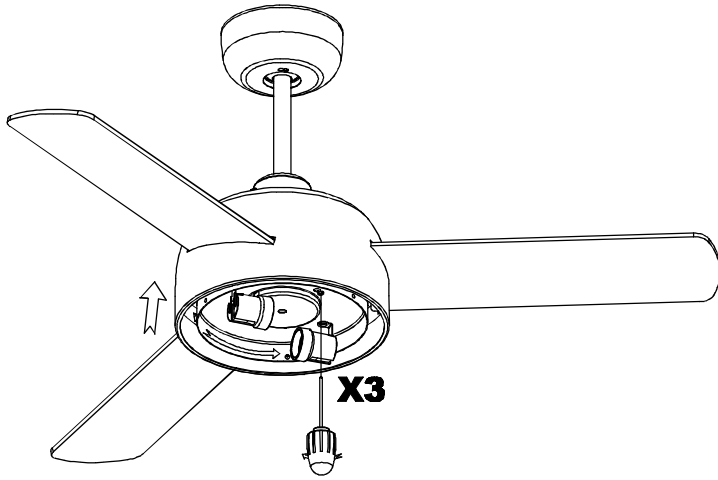


24

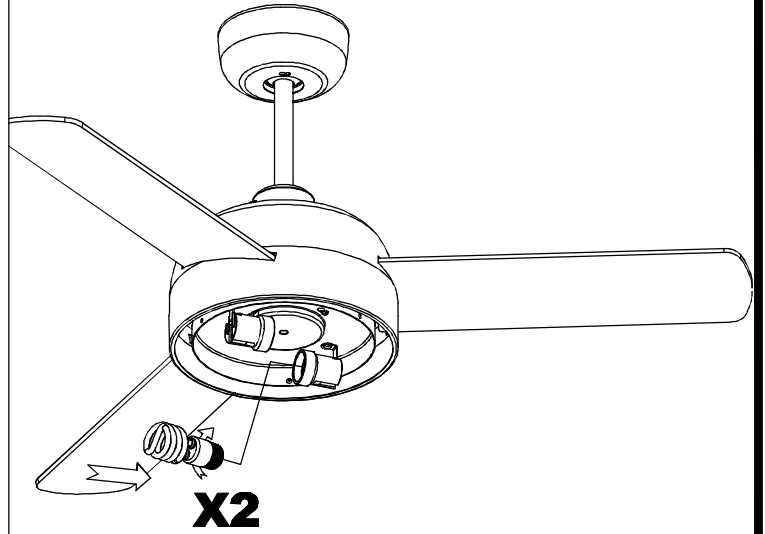




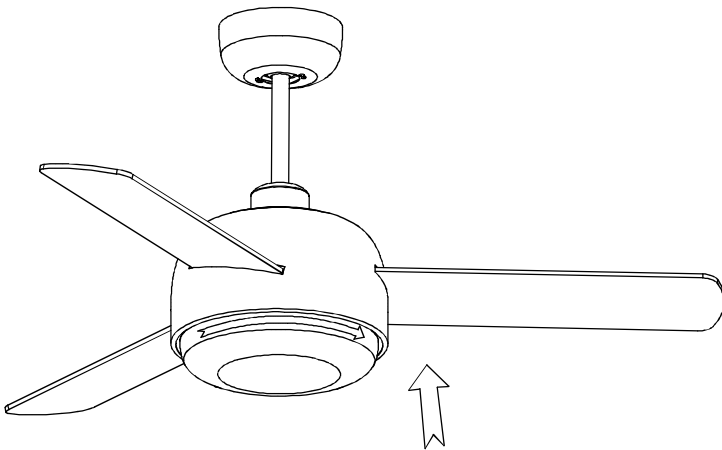
25



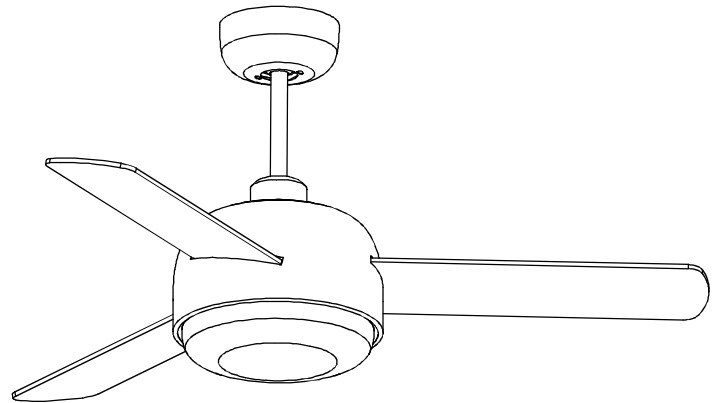
26

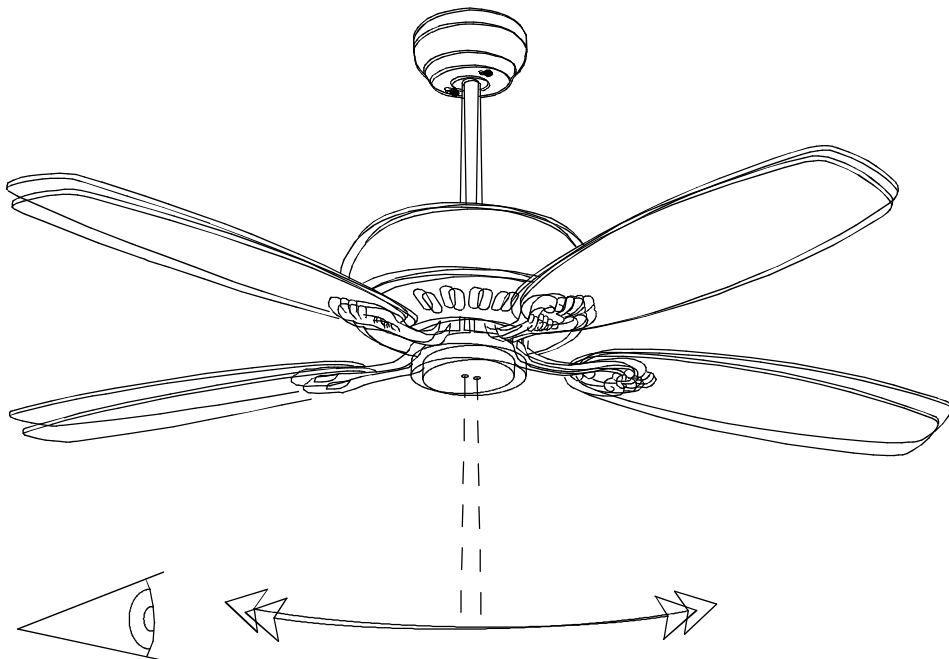
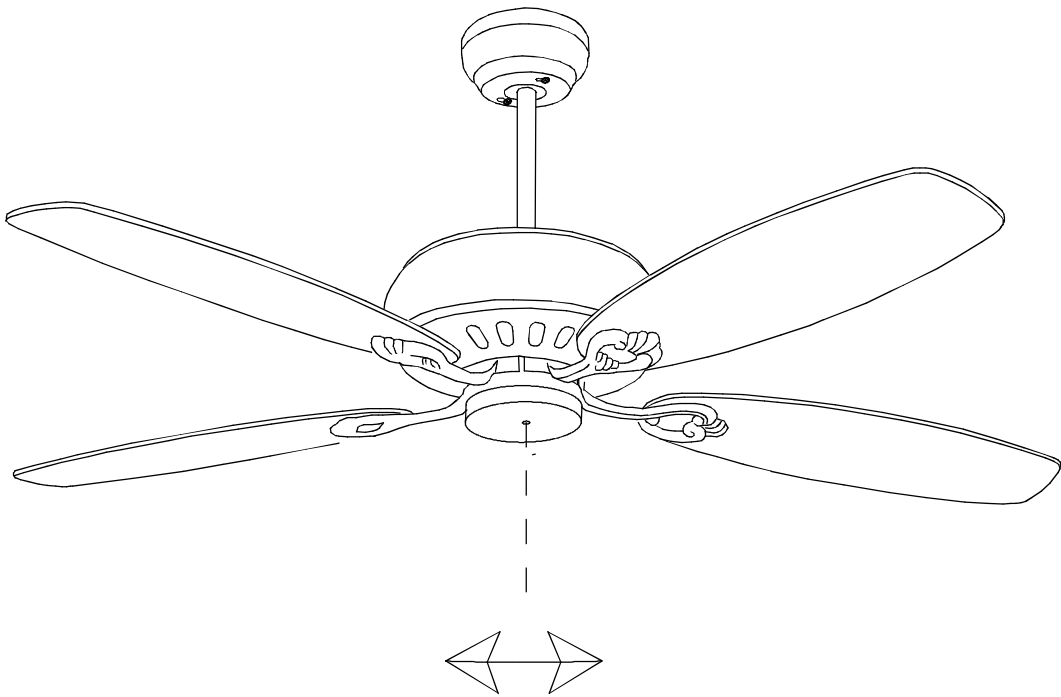
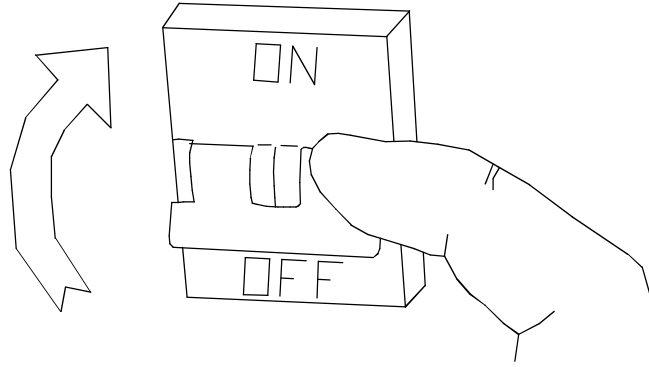


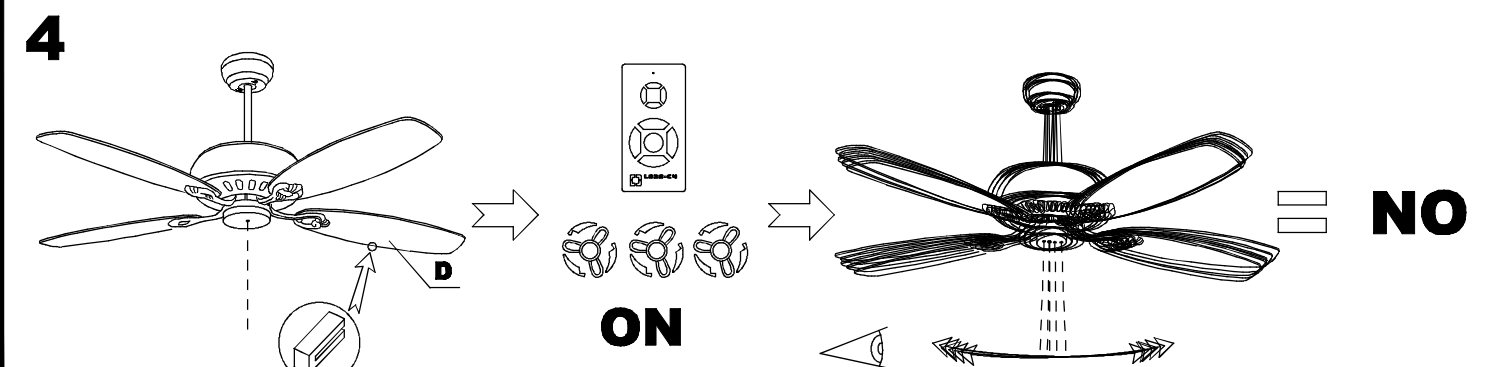
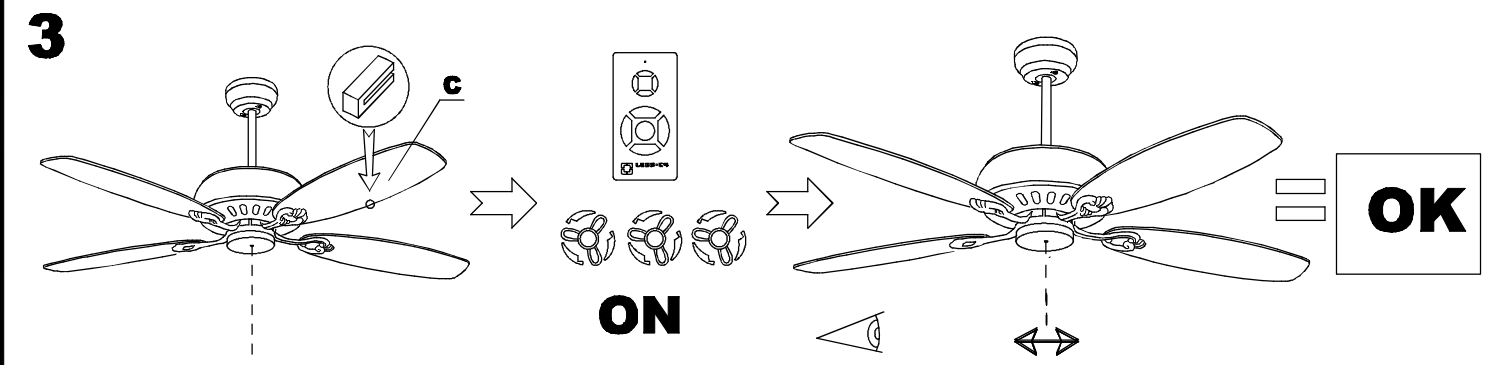
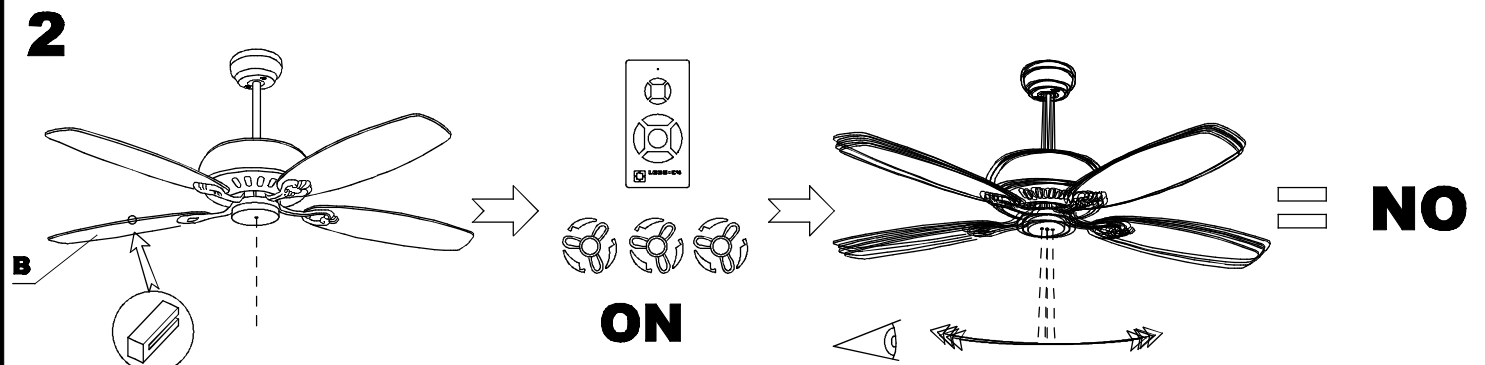
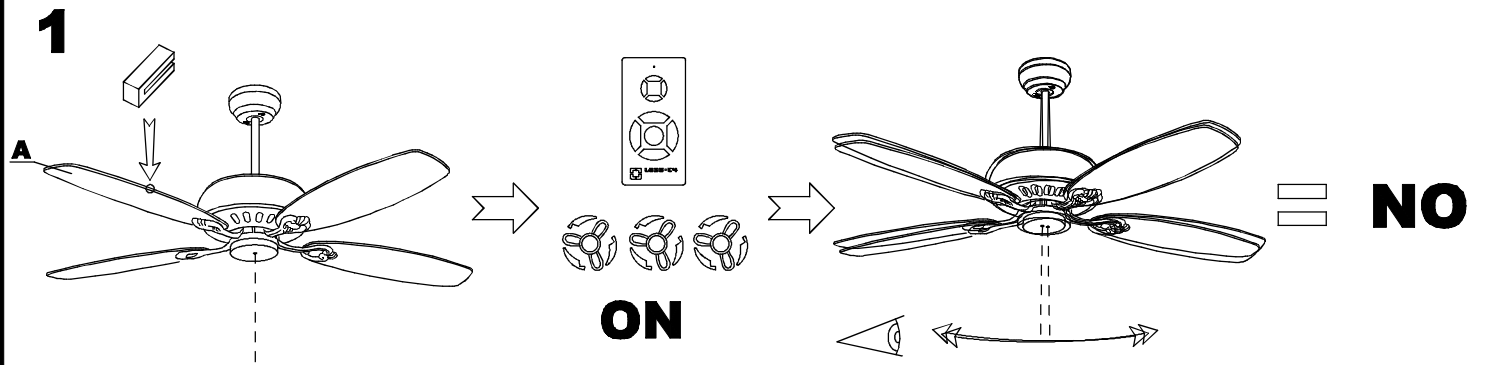
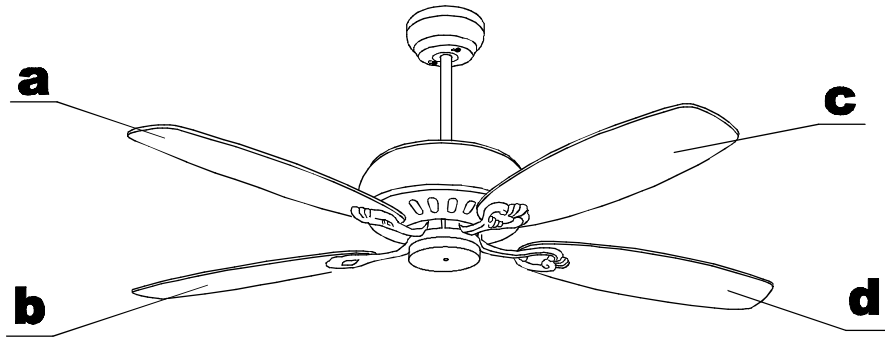
27



28



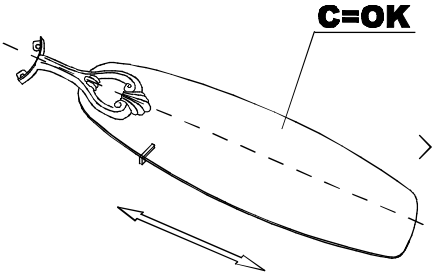




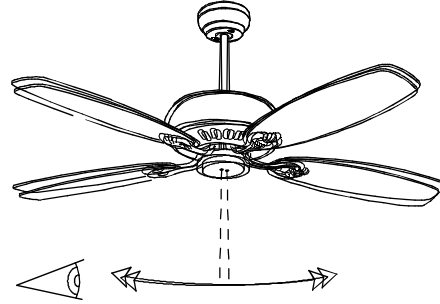


LEDS-C4

5

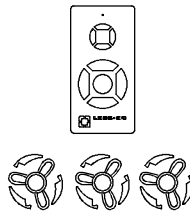
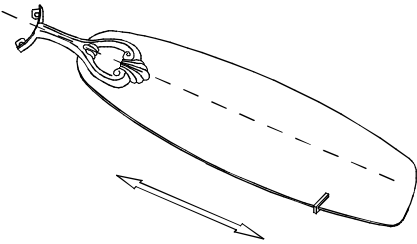


ON

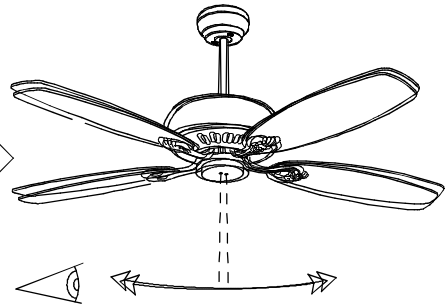


= NO

6

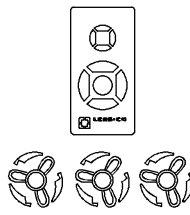
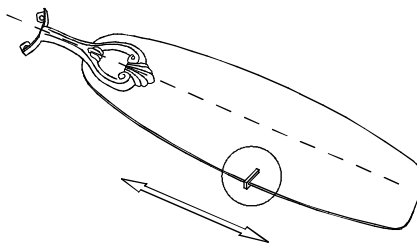


ON

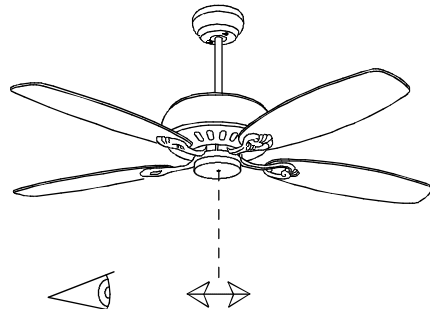


= NO

7



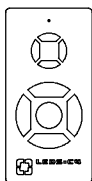
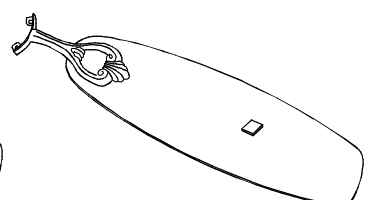
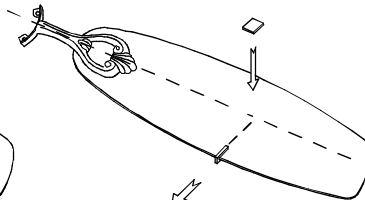
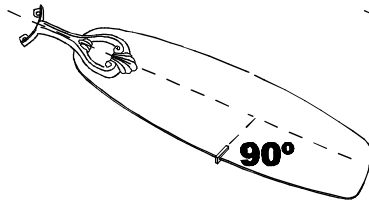
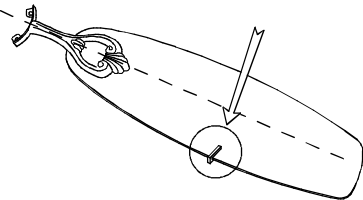
ON



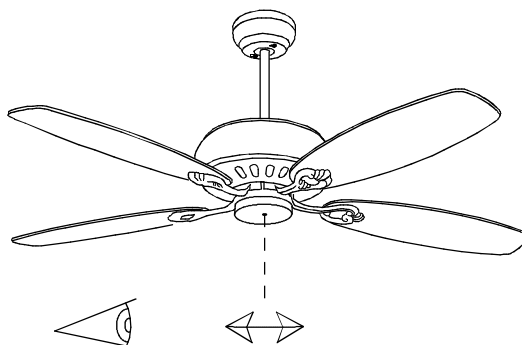
= OK

8

OK



ON



= OK