

Wall Mounted RF AC Dimmer

09.2836N.04764

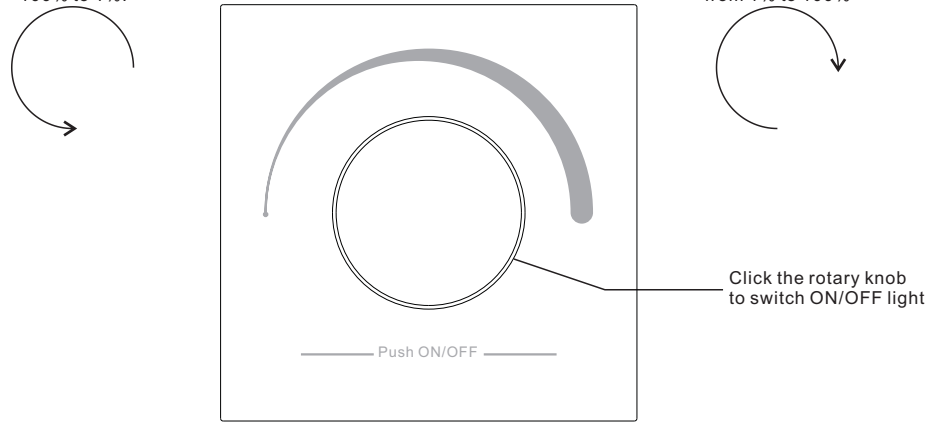


Important: Read All Instructions Prior to Installation

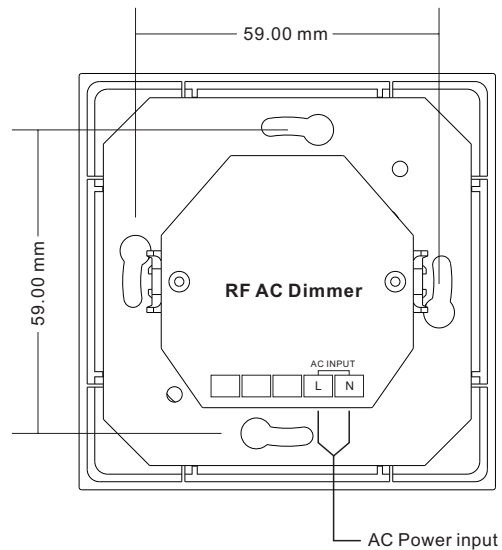
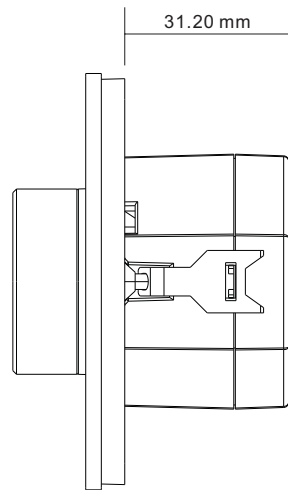
Function introduction

Rotate the knob counterclockwise to decrease light intensity from 100% to 1%.

Rotate the knob clockwise to increase light intensity from 1% to 100%



Front side



Back side

Product Data

Designation	AC RF Dimmer
Power connection	L, N AC mains
Operating voaltage	200-240V AC
Input current	15mA max.
Output	RF signal
Perm. Cable cross-section	1...4 mm ²
Ambient temperature	0...+50 °C
Type of protection	IP 20
Protection class	II
Dimensions	80x80x53mm

- Rotation sensitive
- Compatible with all universal series RF receivers
- Control single color
- Control 1 zone of RF receiver
- Safe and reliable full isolation design

Safety & Warnings

- DO NOT install with power applied to device.
- DO NOT expose the device to moisture.

Operation

Pair with RF receivers:

Click "Learning Key" on RF receiver → Rotate or click the knob → LED lights connected with the RF receiver will flicker once → The receiver is paired with the remote successfully.

How to delete the pairing:

Press and hold down "Learning Key" on the receiver for over 3 seconds until connected LED lights flicker twice, which means the pairing is deleted successfully.

Wiring diagram

