



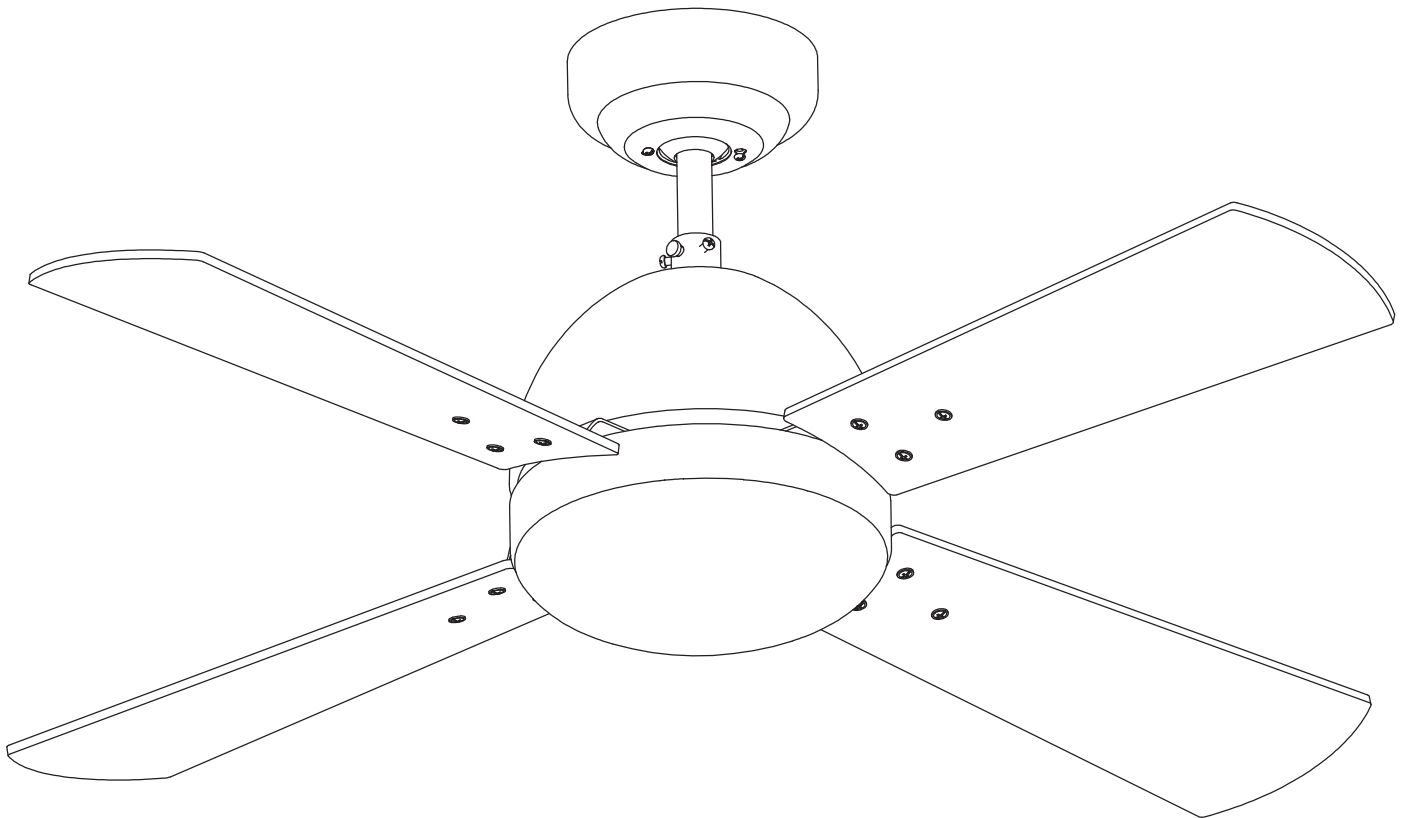
LED S-C4

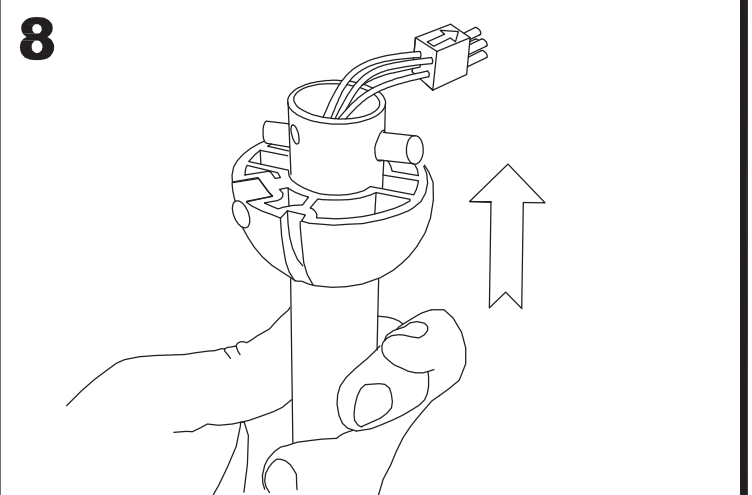
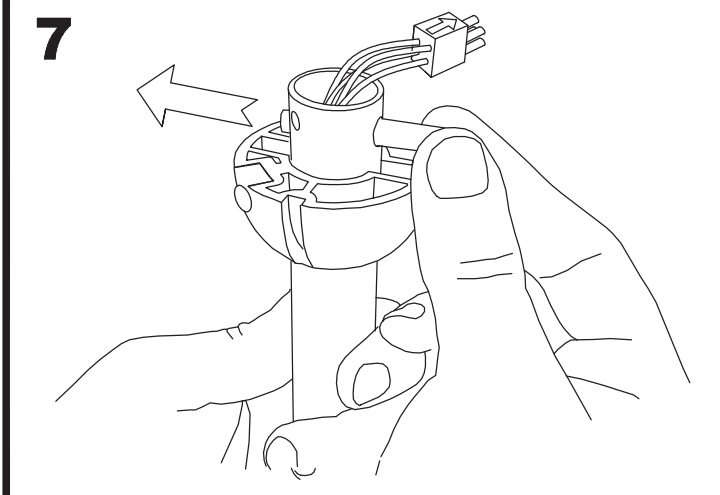
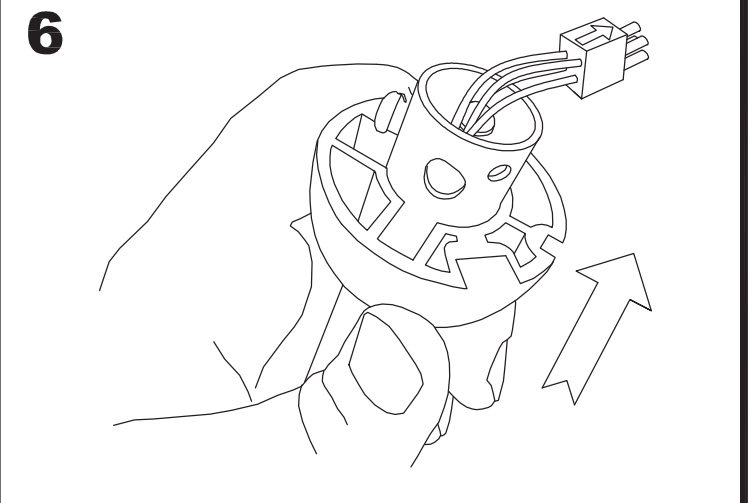
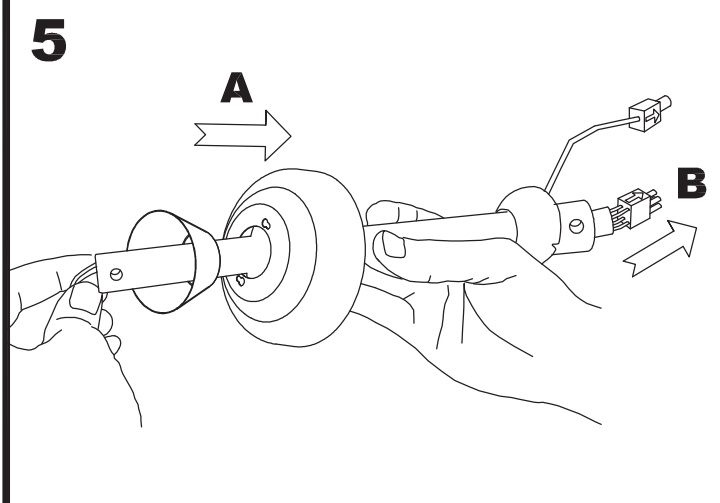
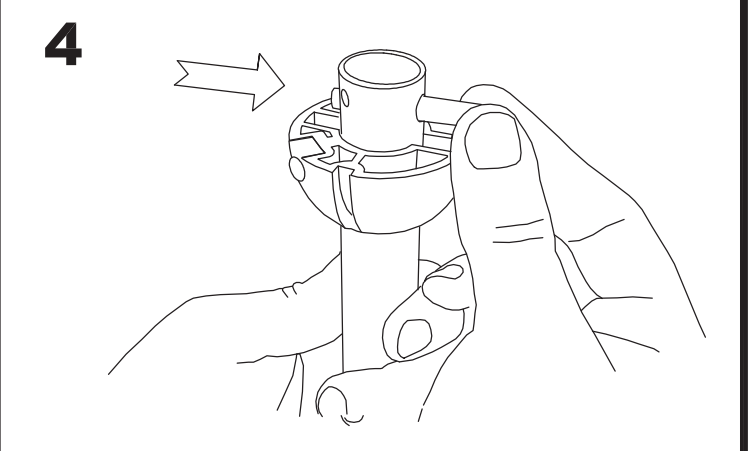
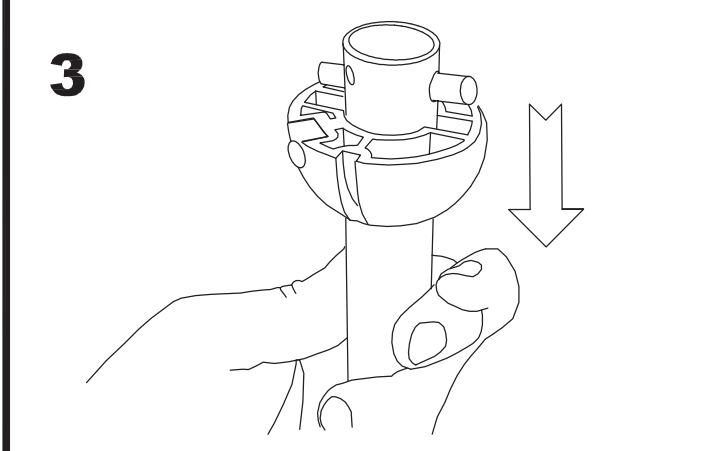
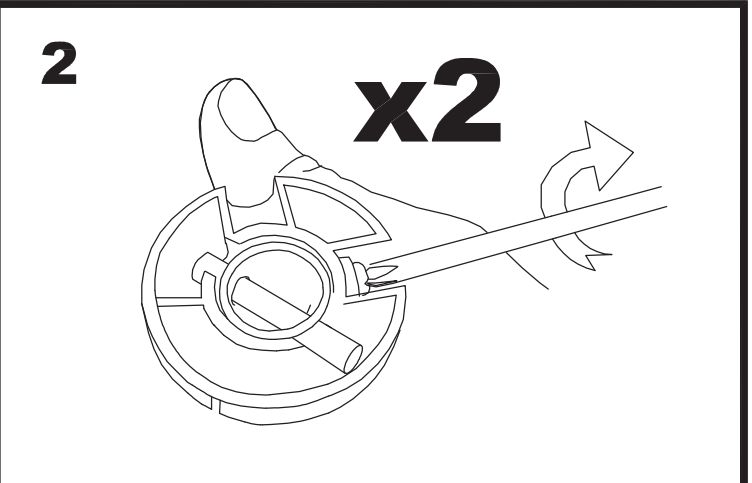
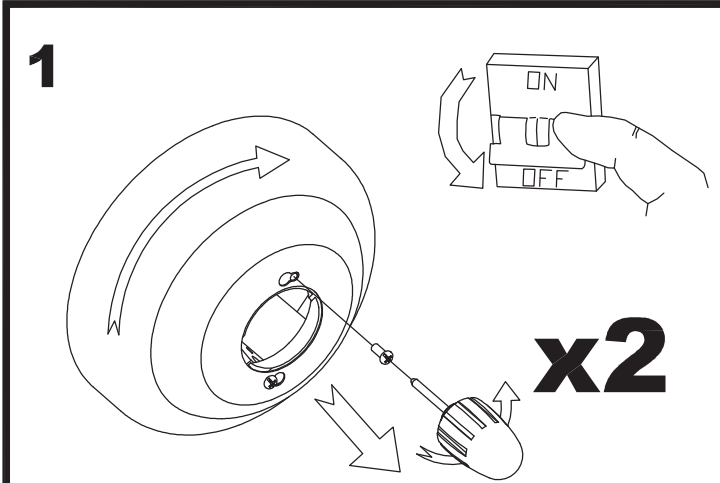
30-4399-14-F9

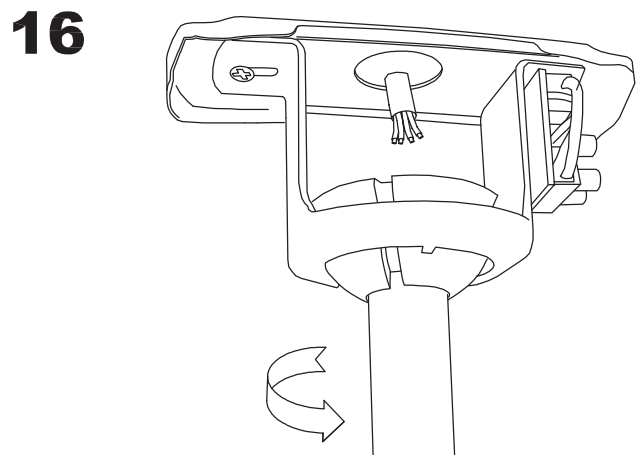
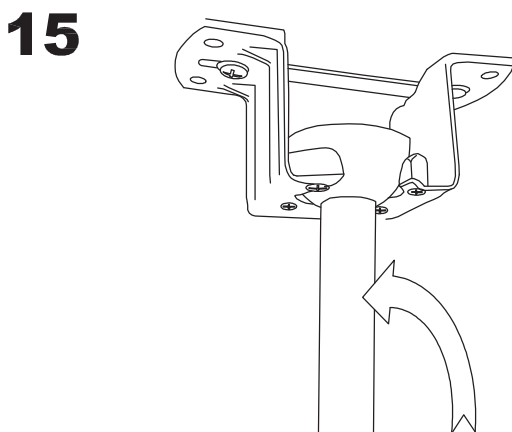
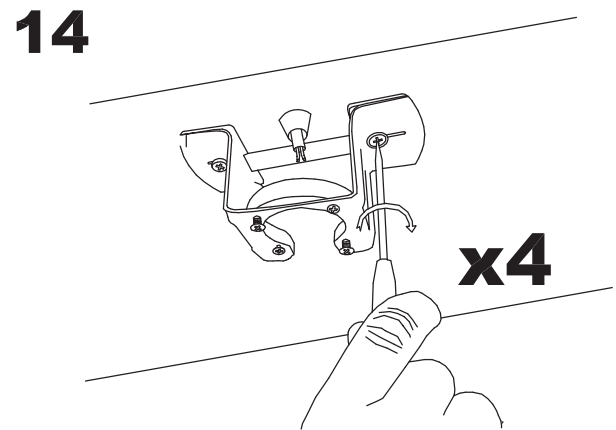
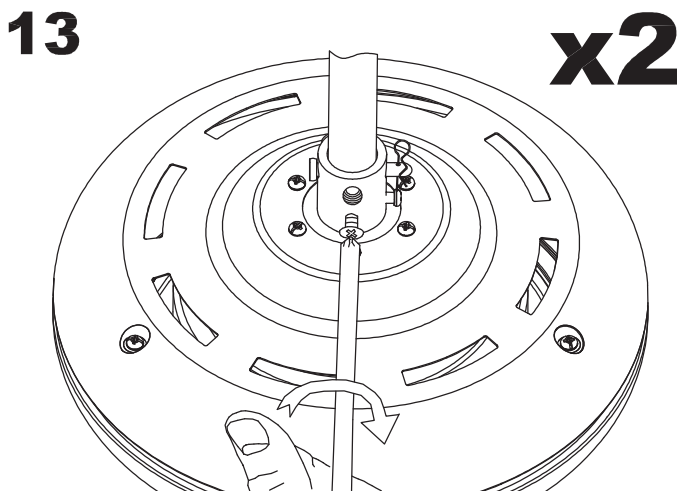
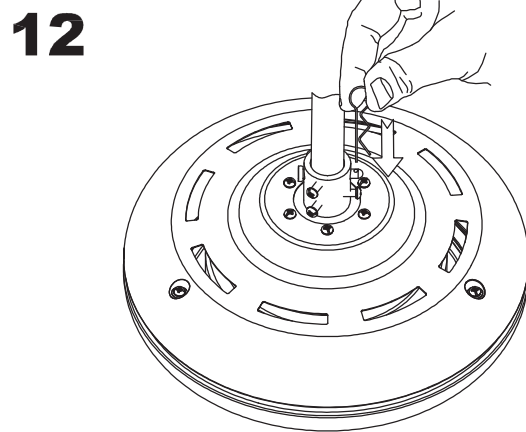
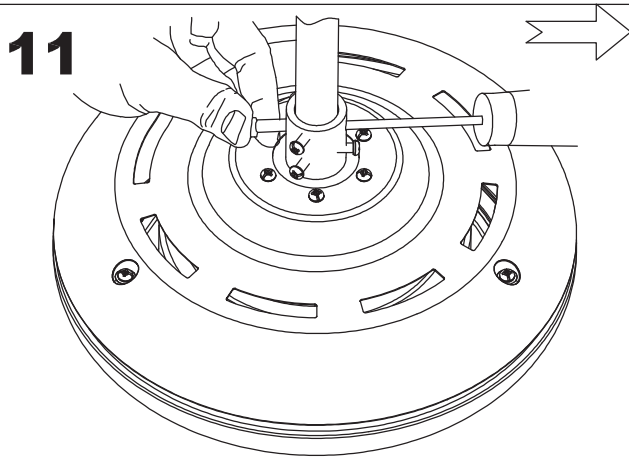
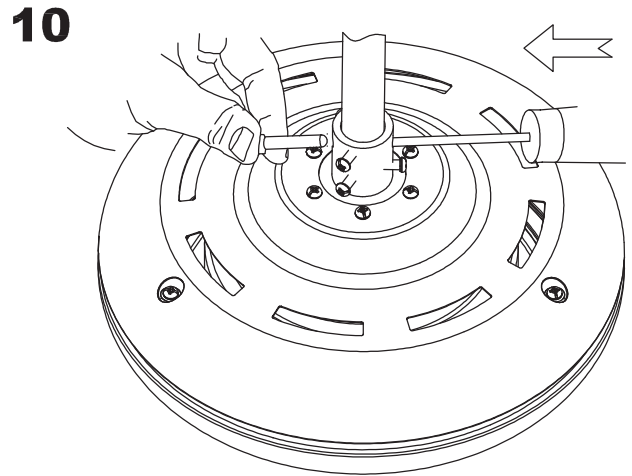
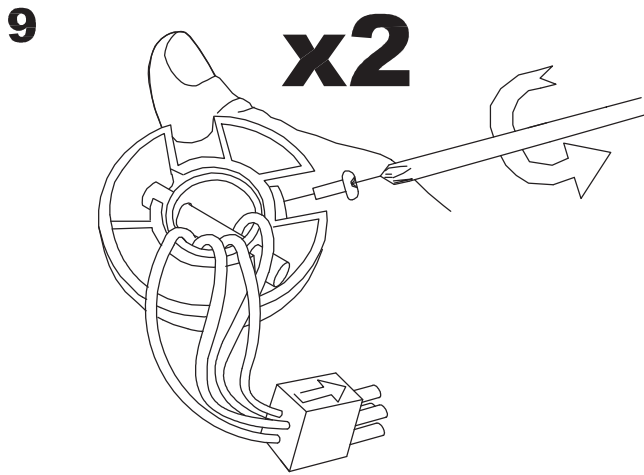
30-4399-E4-F9

30-4399-J7-F9

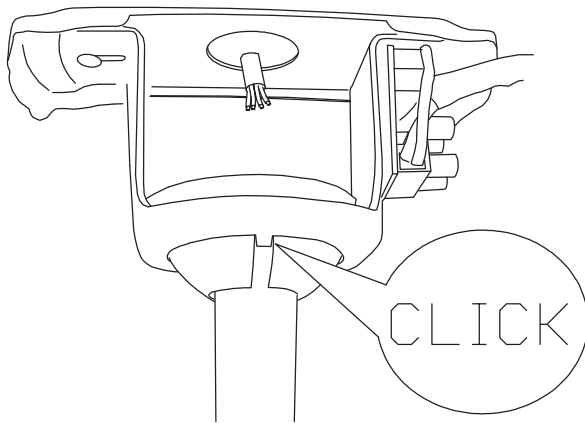
30-4399-81-F9



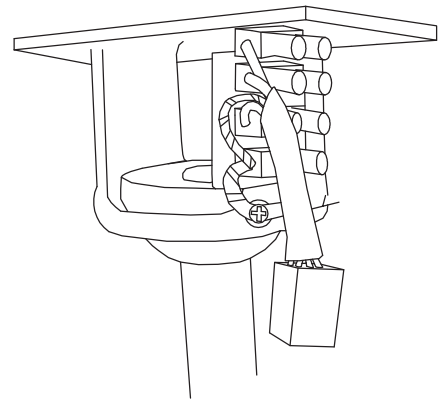




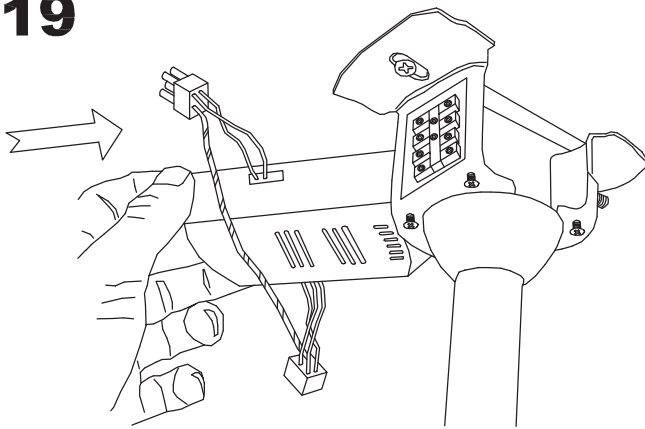
17



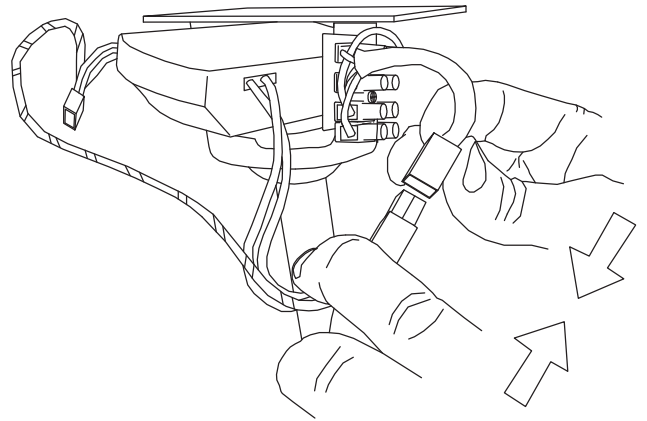
18



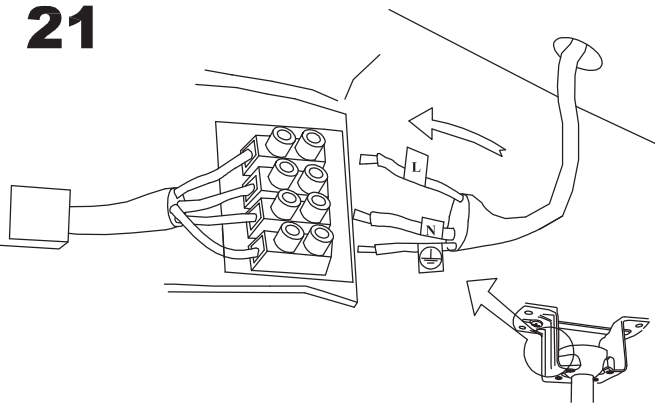
19



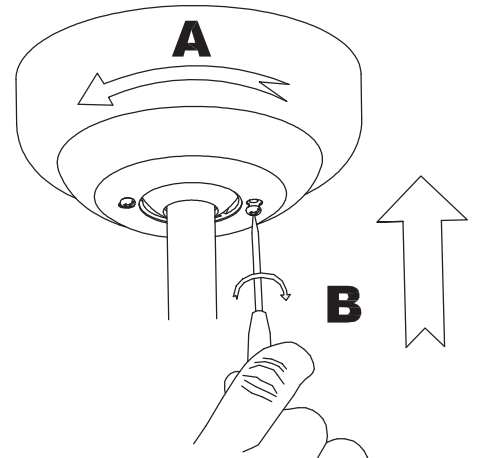
20



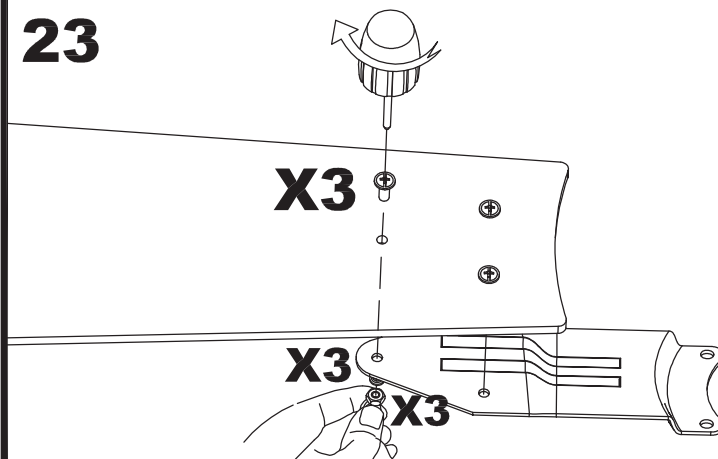
21



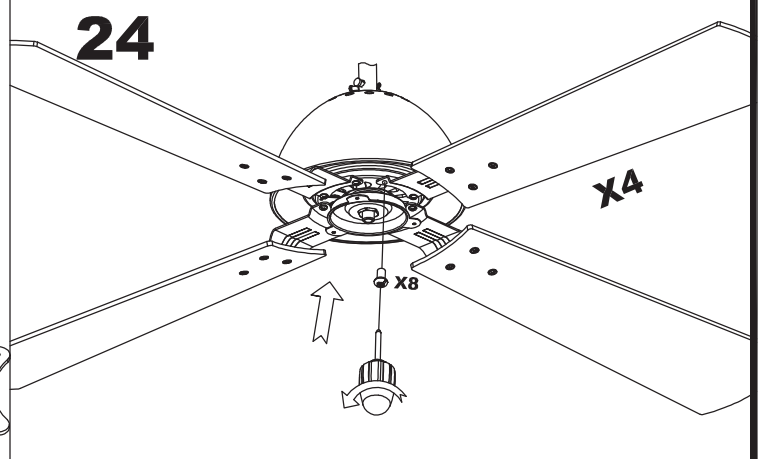
22



23



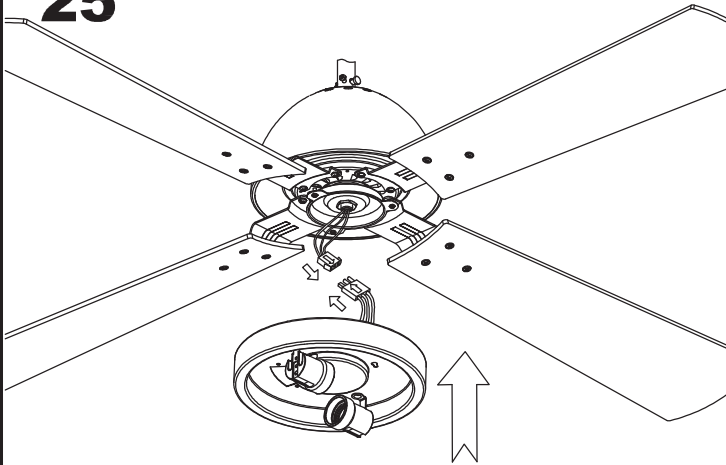
24



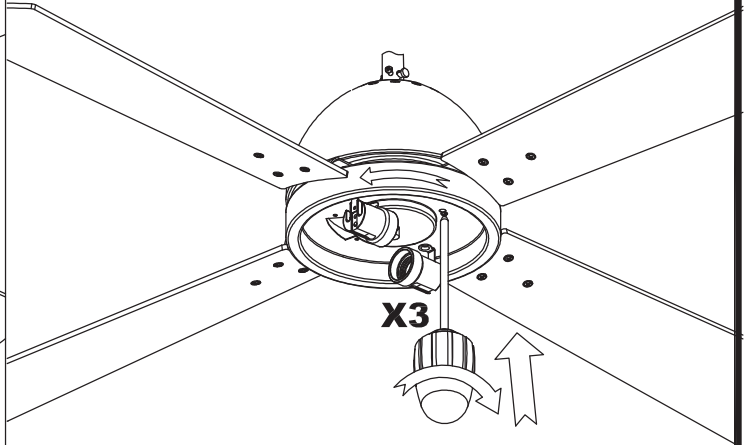


LED5-C4

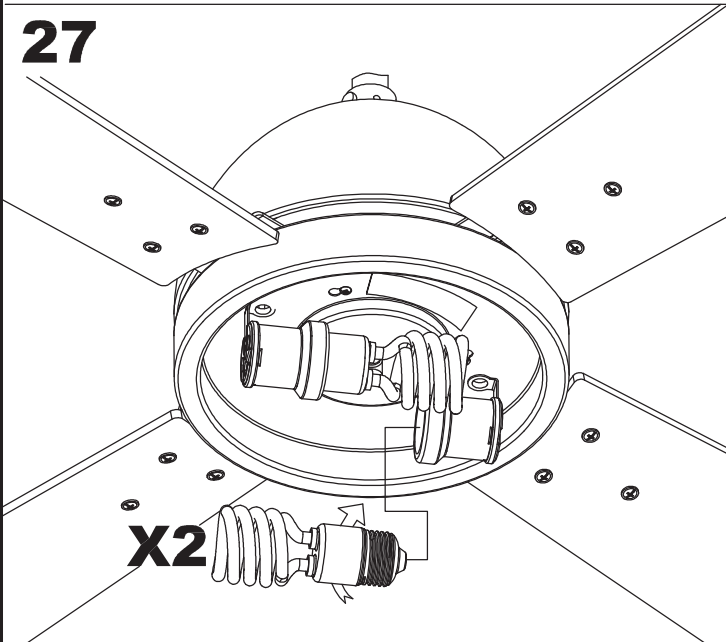
25



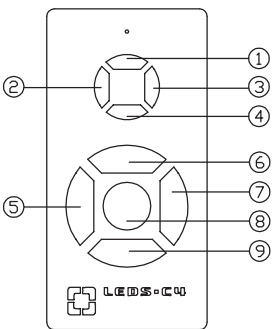
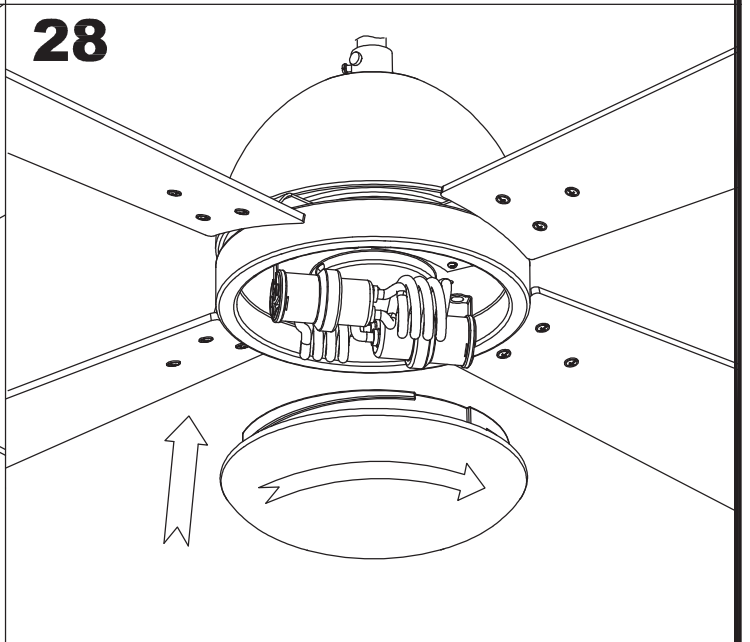
26



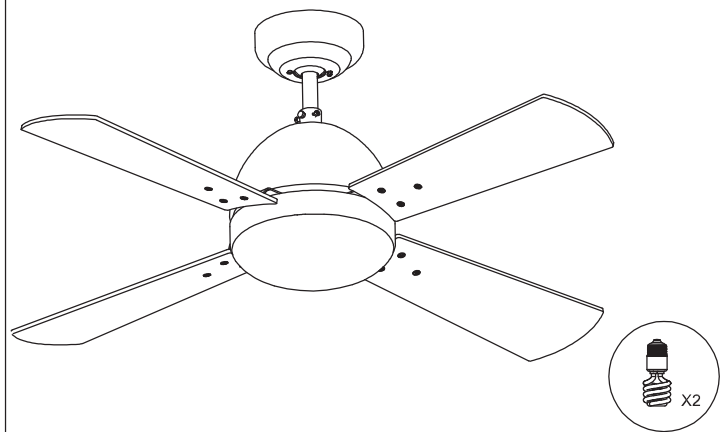
27

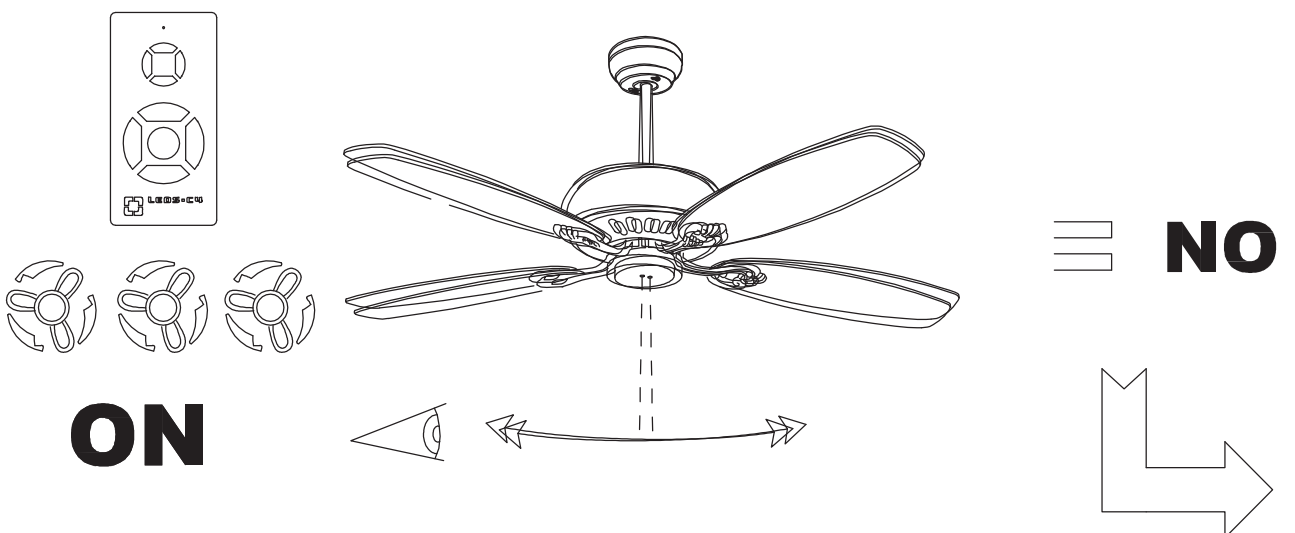
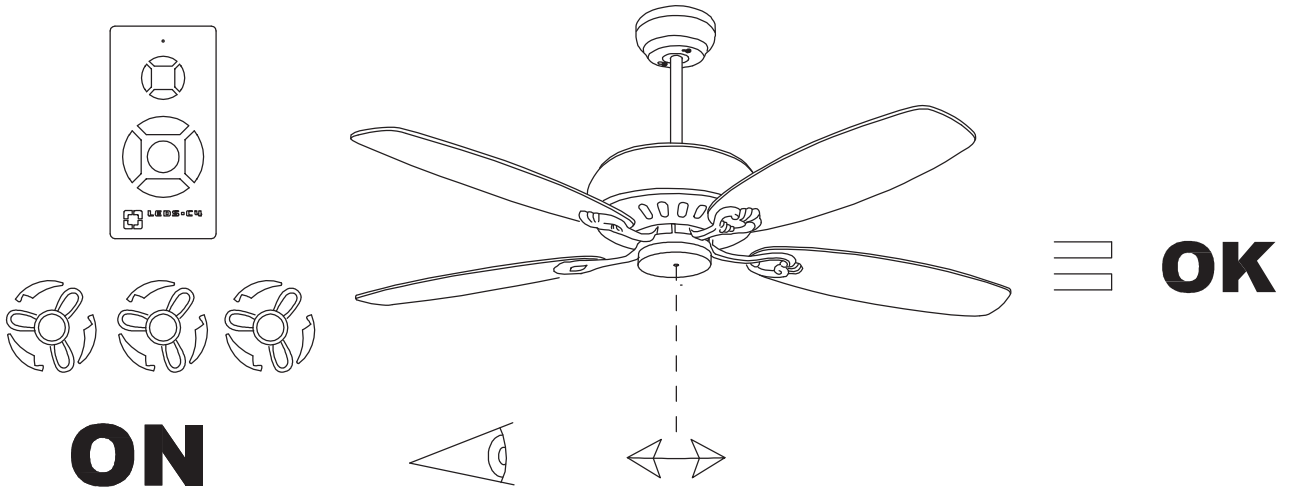
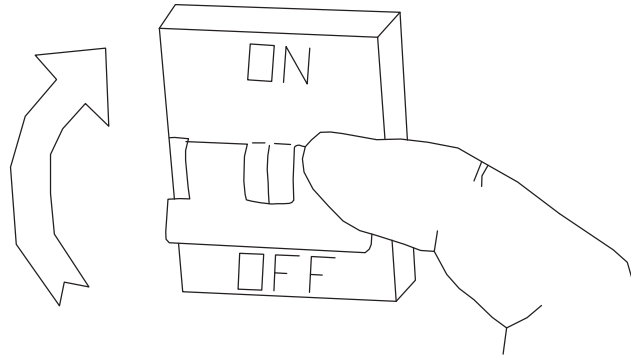


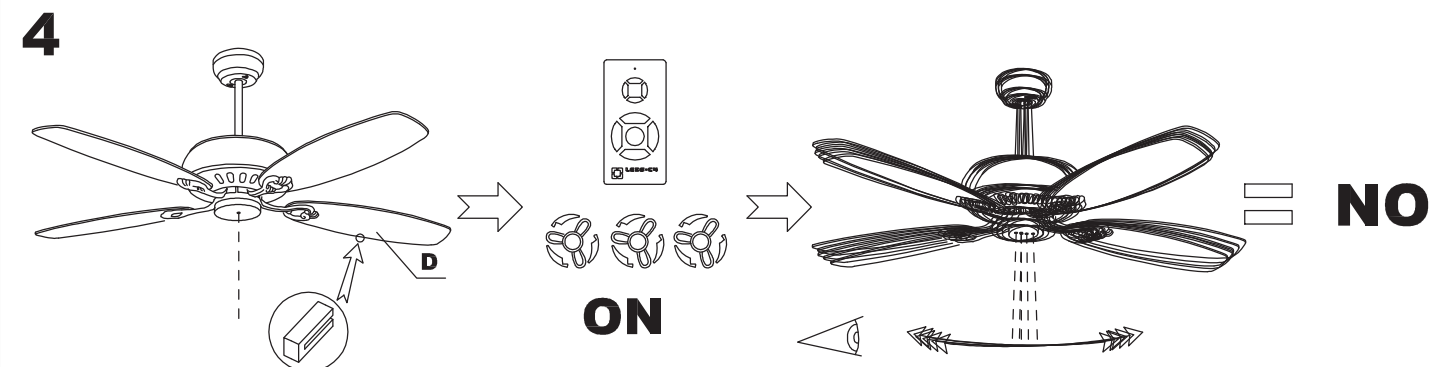
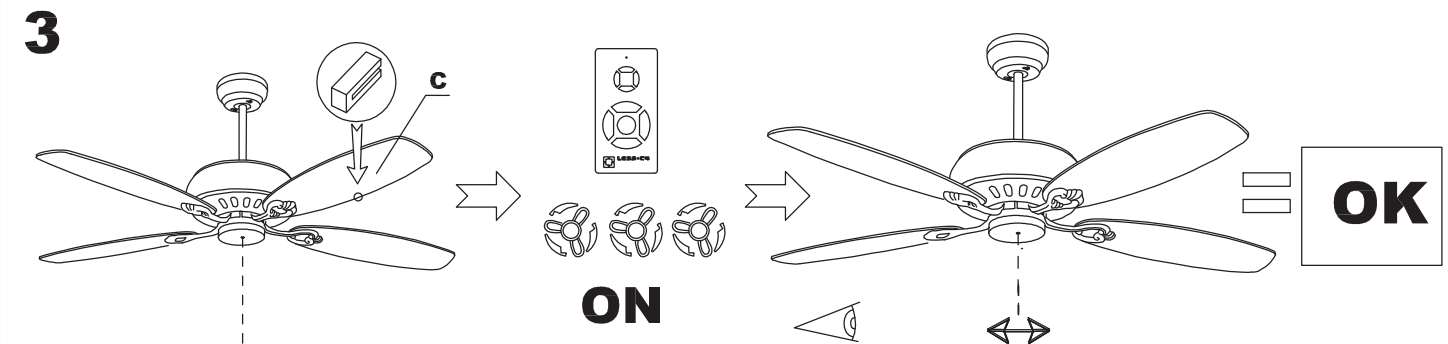
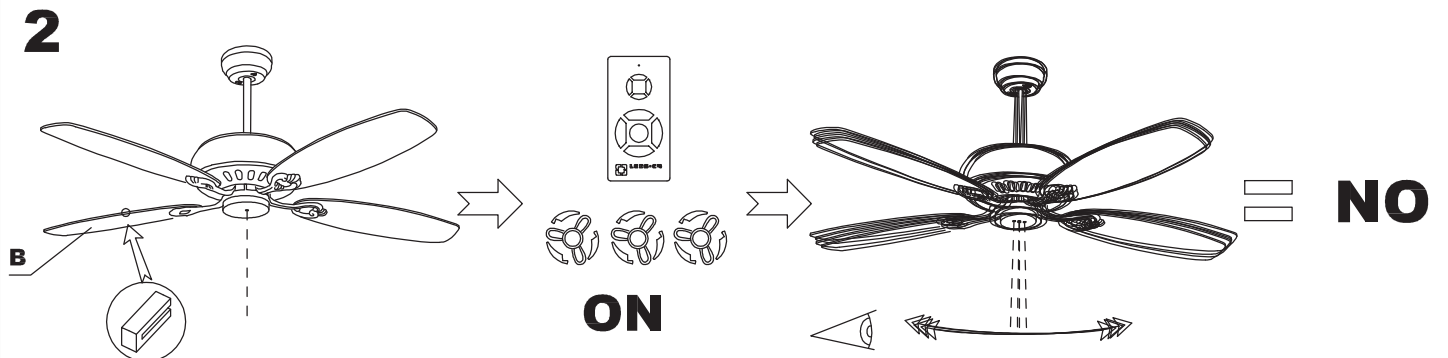
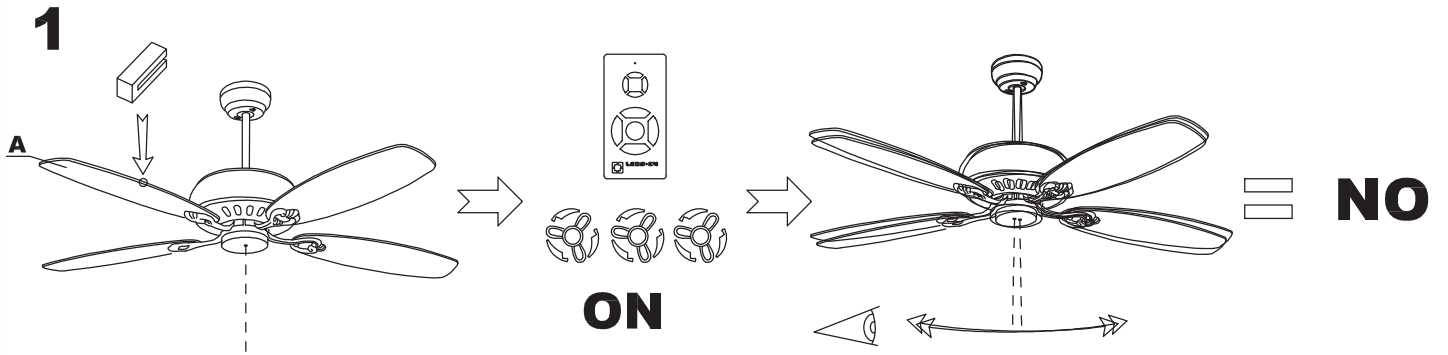
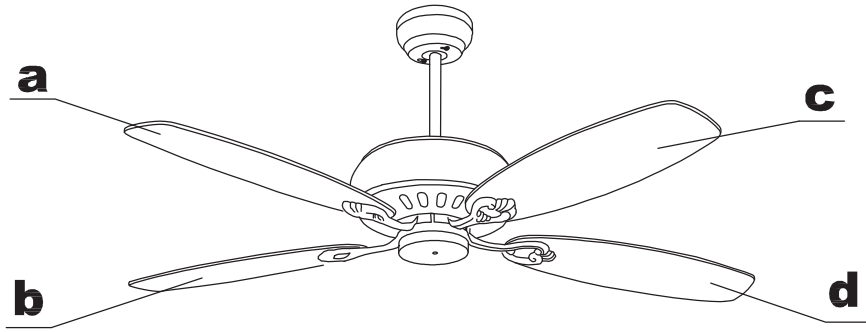
28



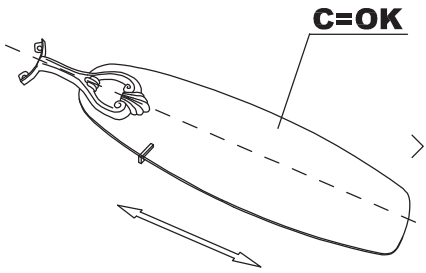
①	
②	
③	
④	
⑤	
⑥	
⑦	
⑧	STOP
⑨	



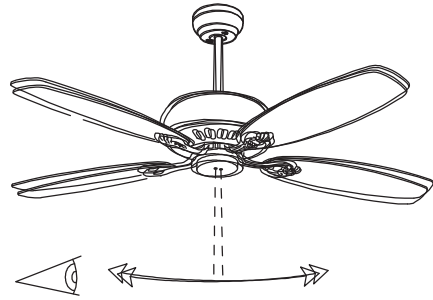




5

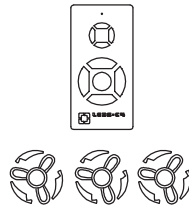
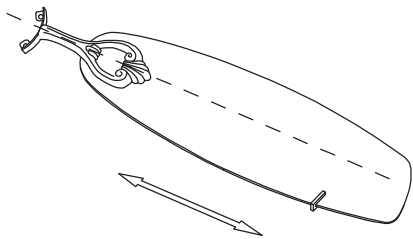


ON

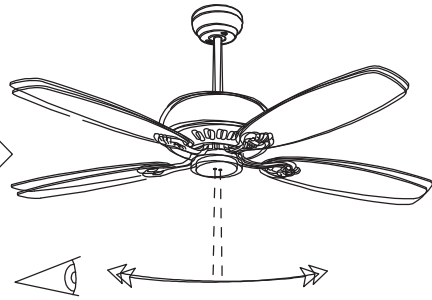


= NO

6

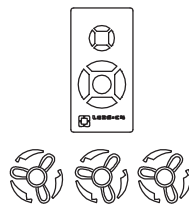
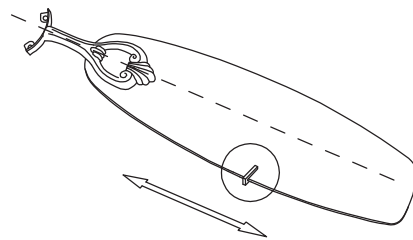


ON

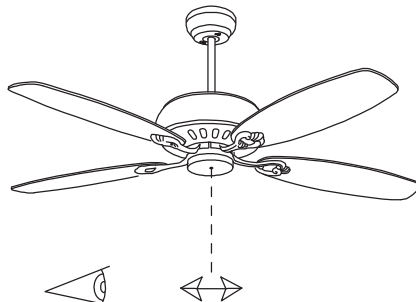


= NO

7



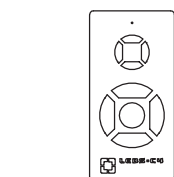
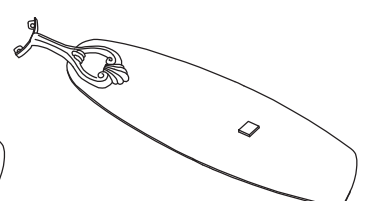
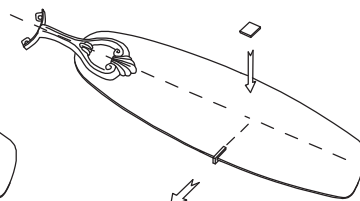
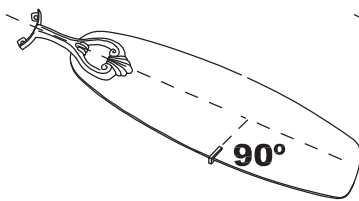
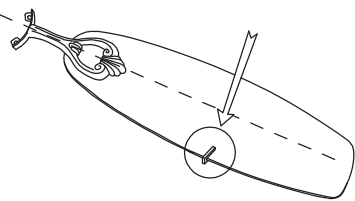
ON



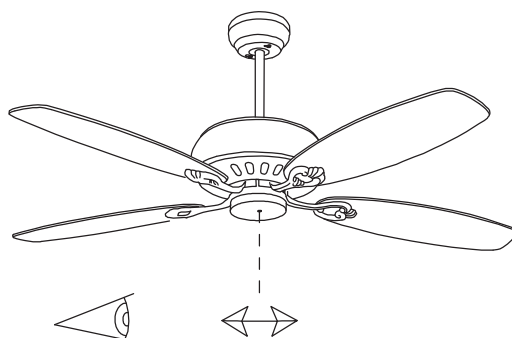
= OK

8

OK



ON



= OK