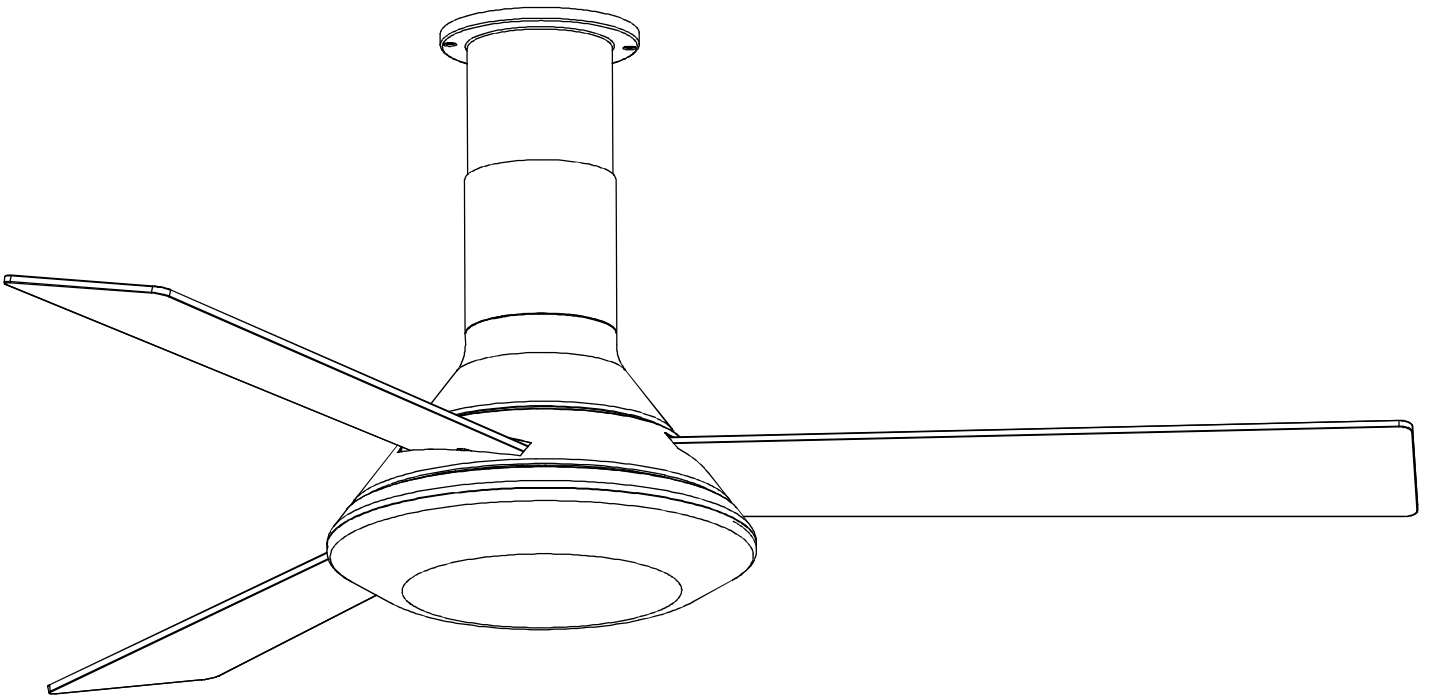




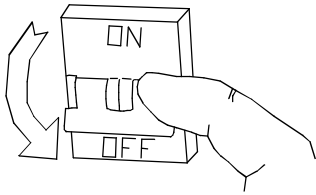
LED S-C4



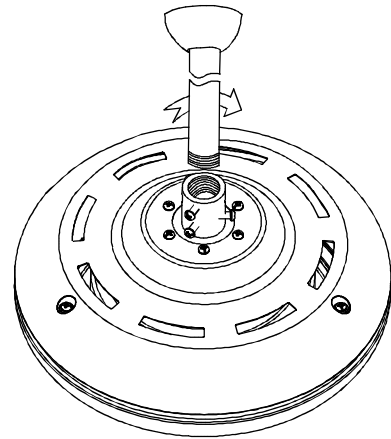
30-4865-N3-F9



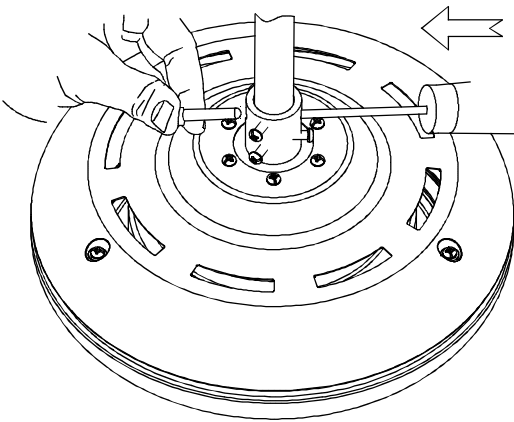
1



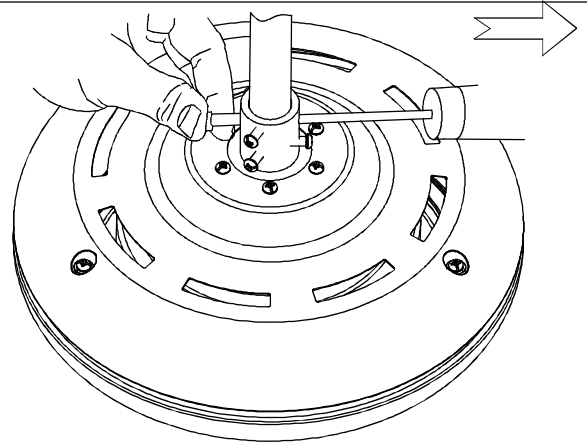
2



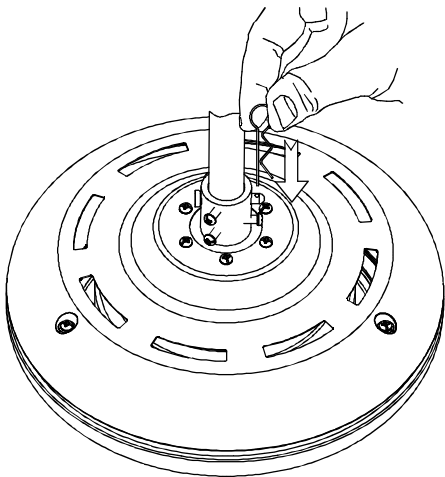
3



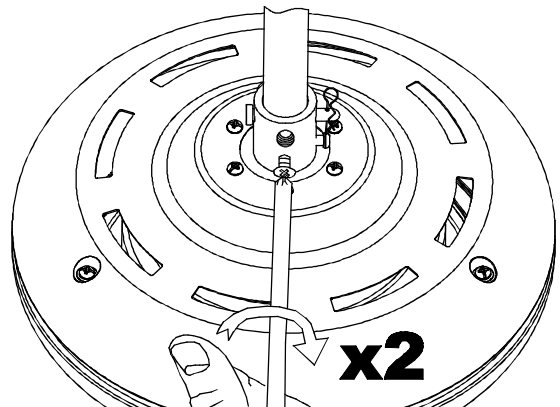
4



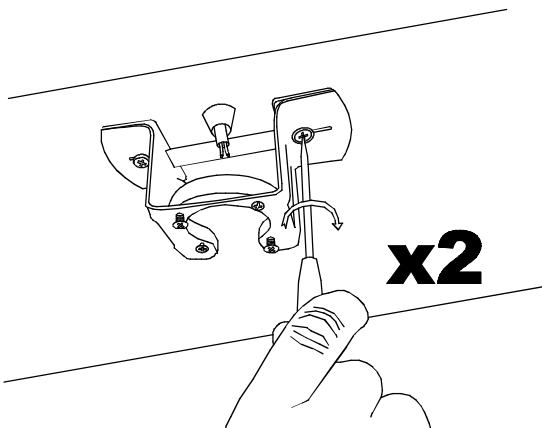
5



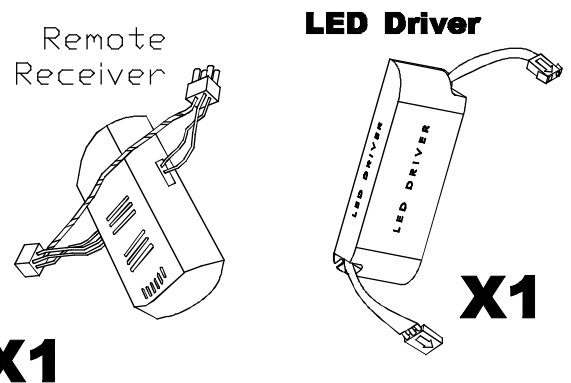
6



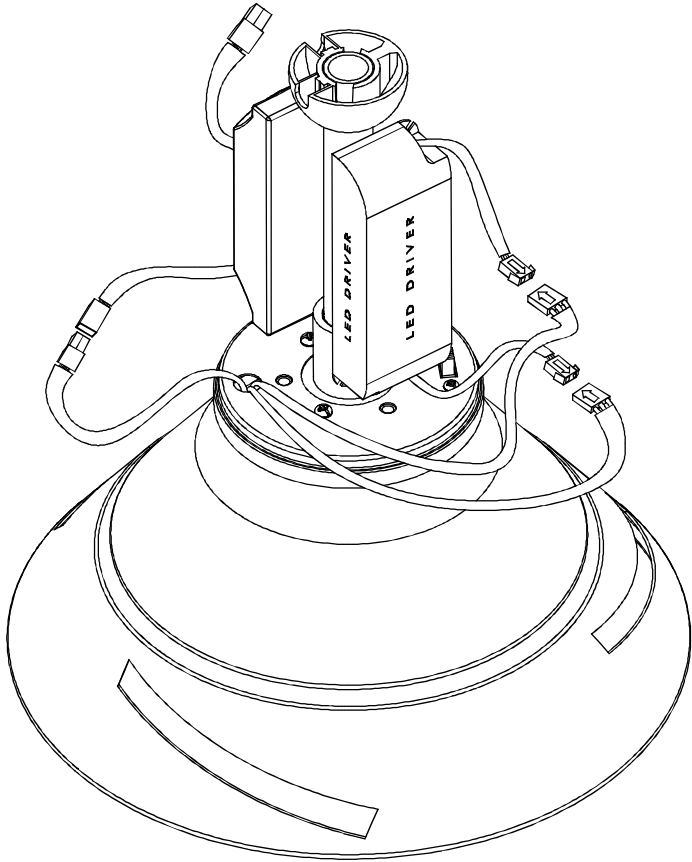
7



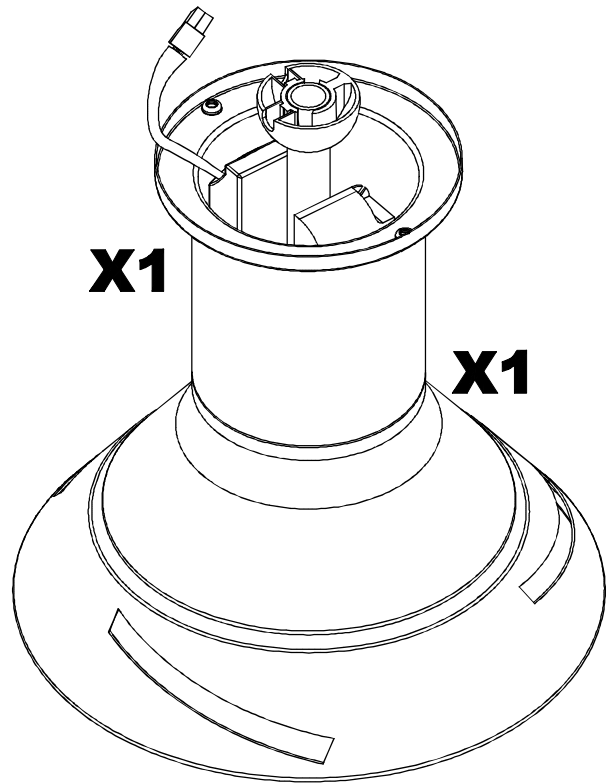
8



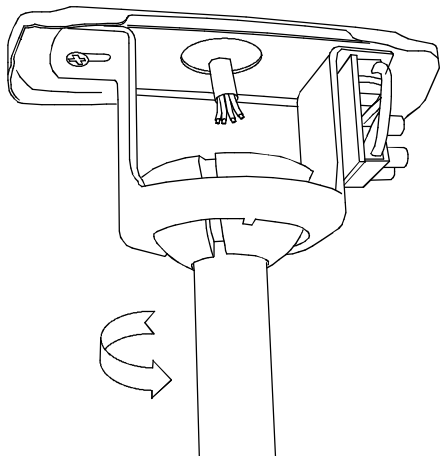
9



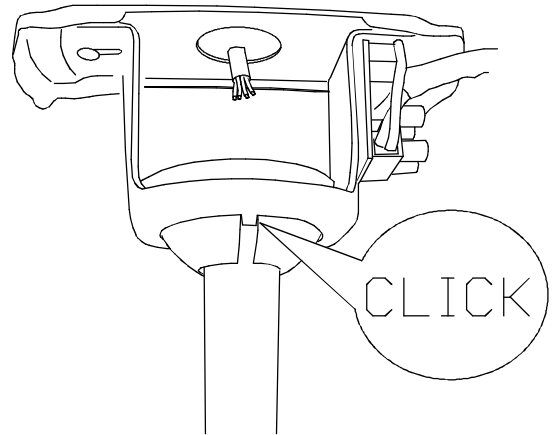
10



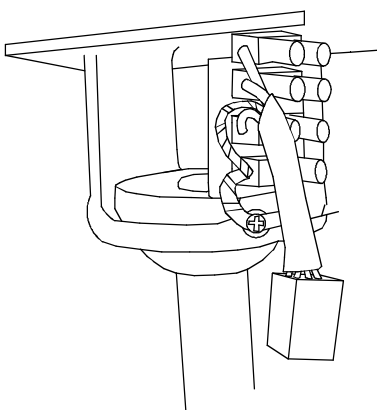
11



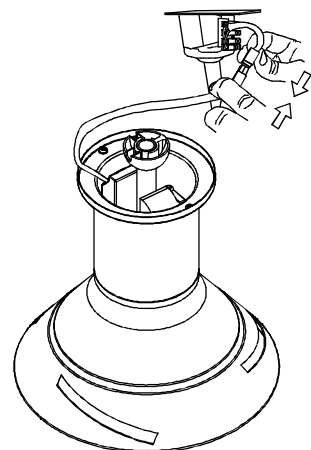
12



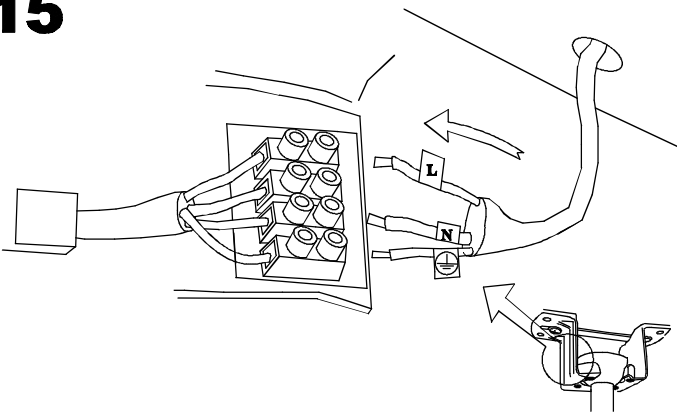
13



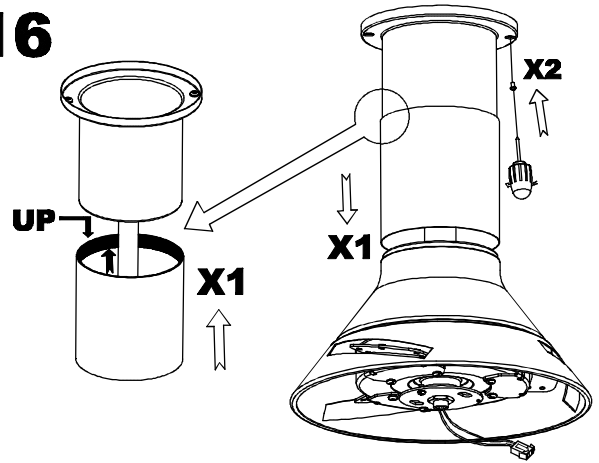
14



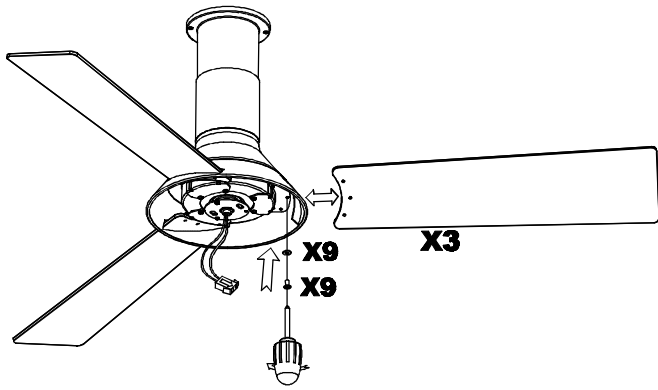
15



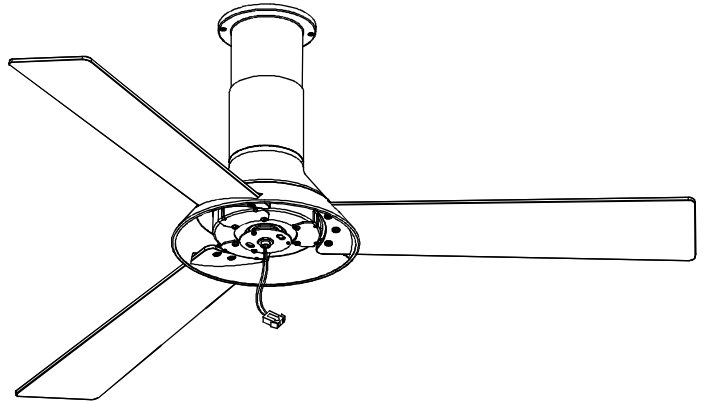
16



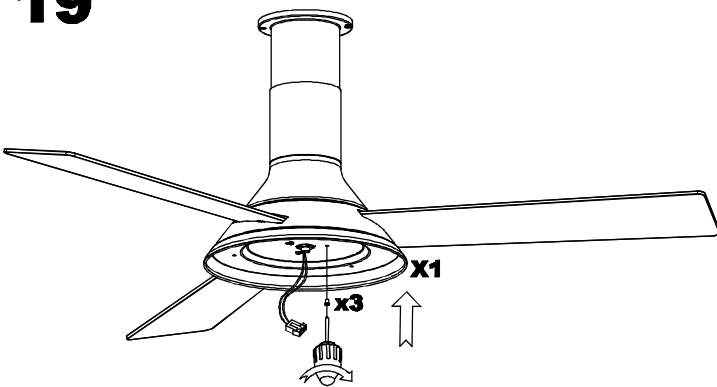
17



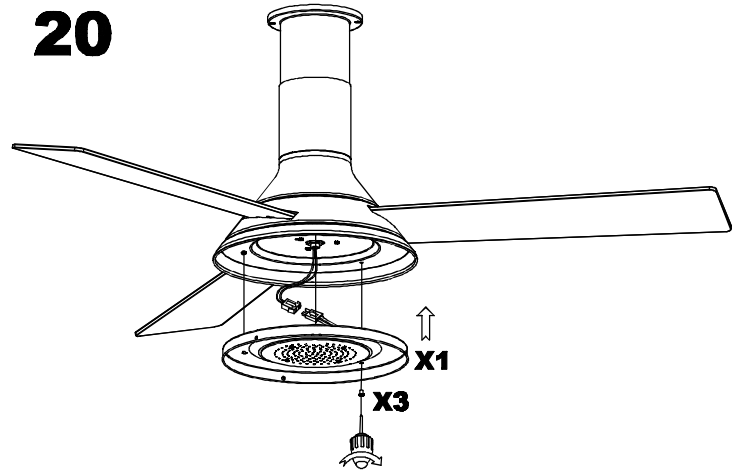
18



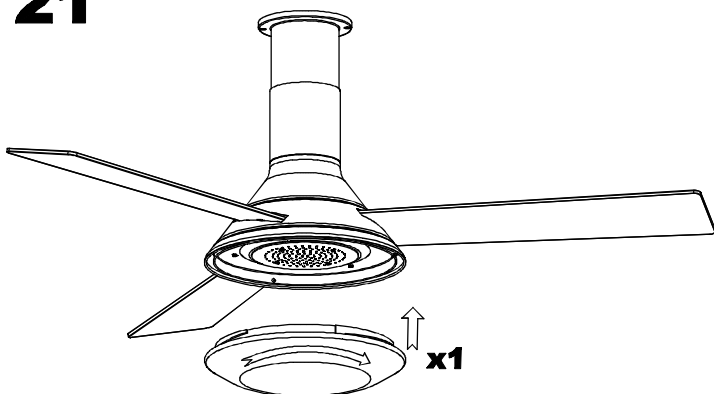
19



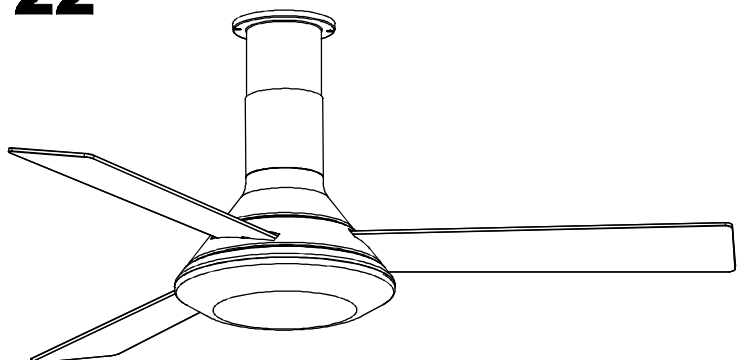
20



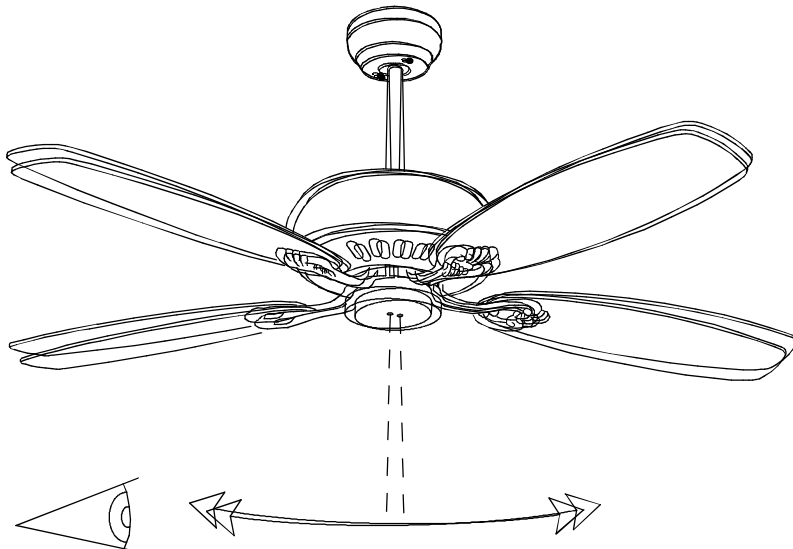
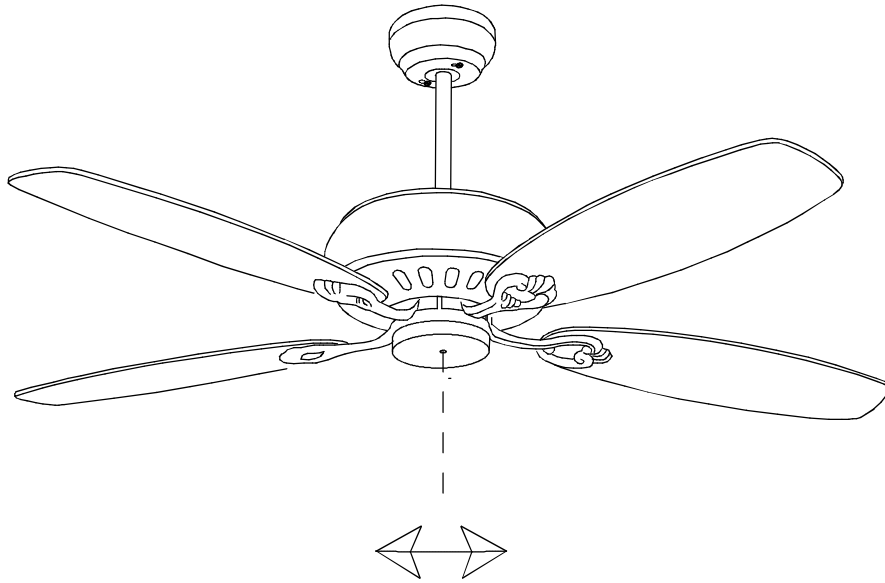
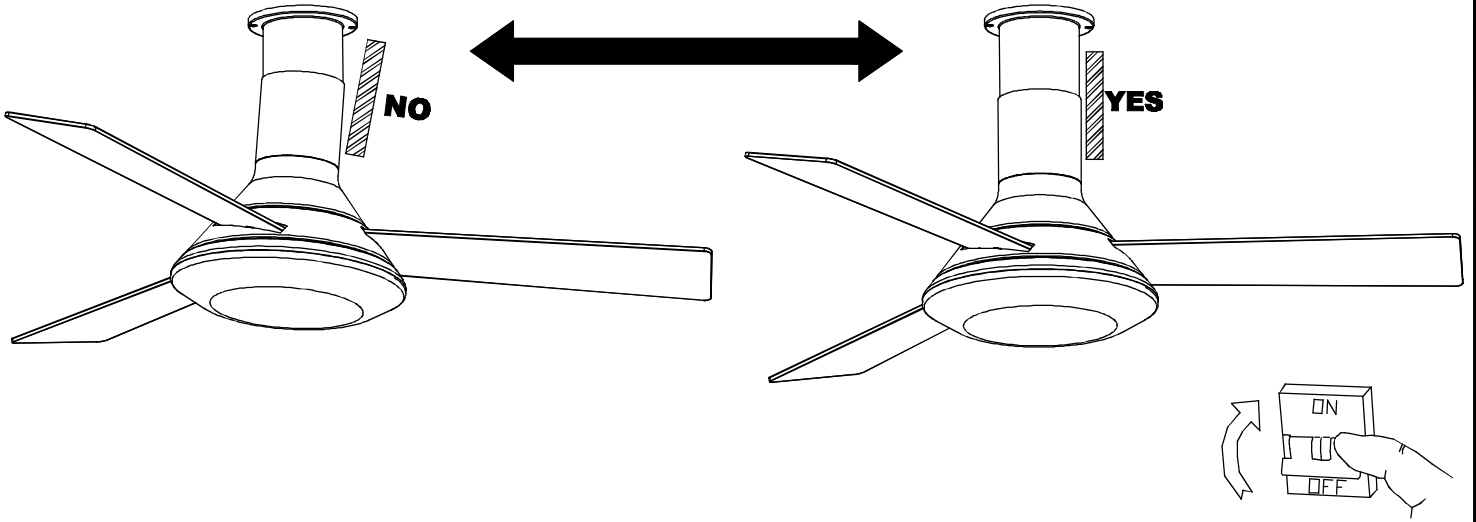
21

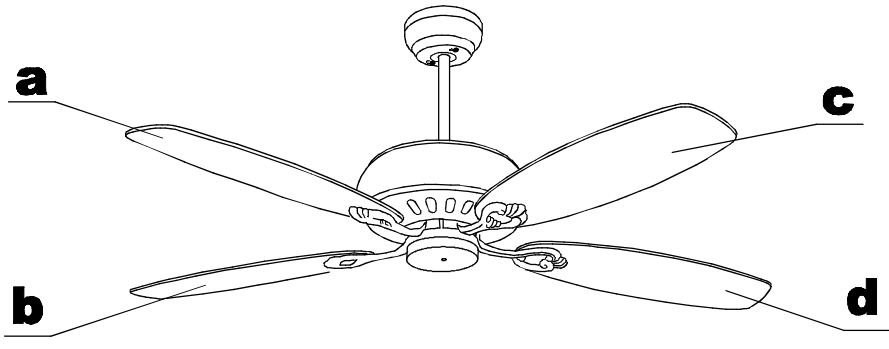


22



23





1

ON = **NO**

2

ON = **NO**

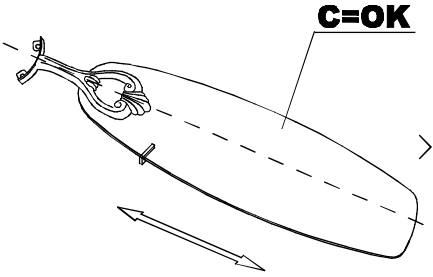
3

ON = **OK**

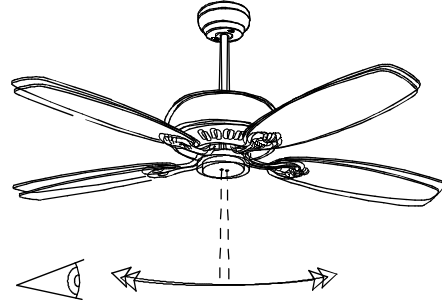
4

ON = **NO**

5

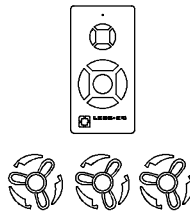
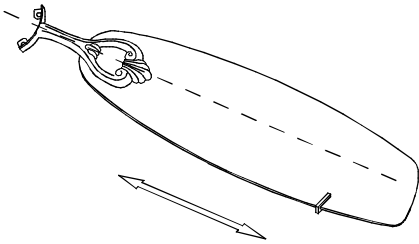


ON

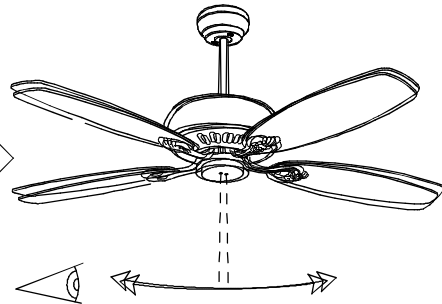


= NO

6

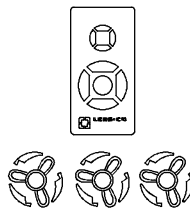
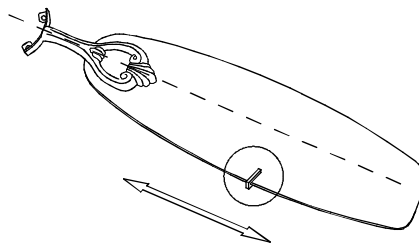


ON

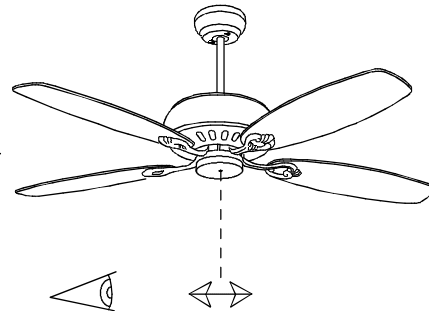


= NO

7



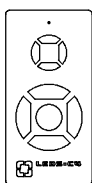
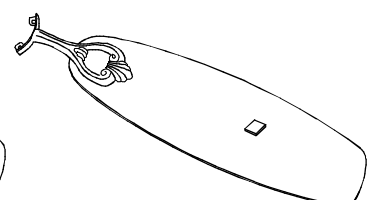
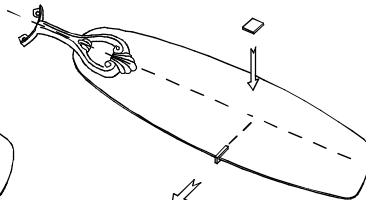
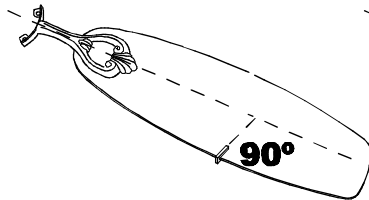
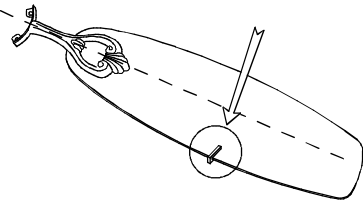
ON



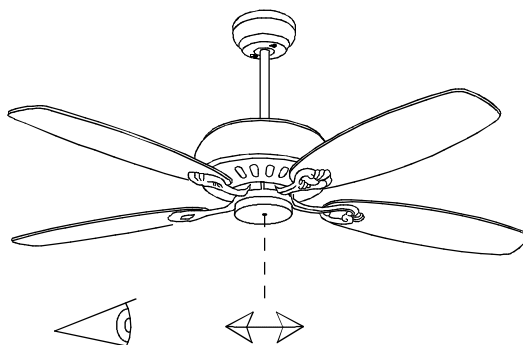
= OK

8

OK



ON



= OK