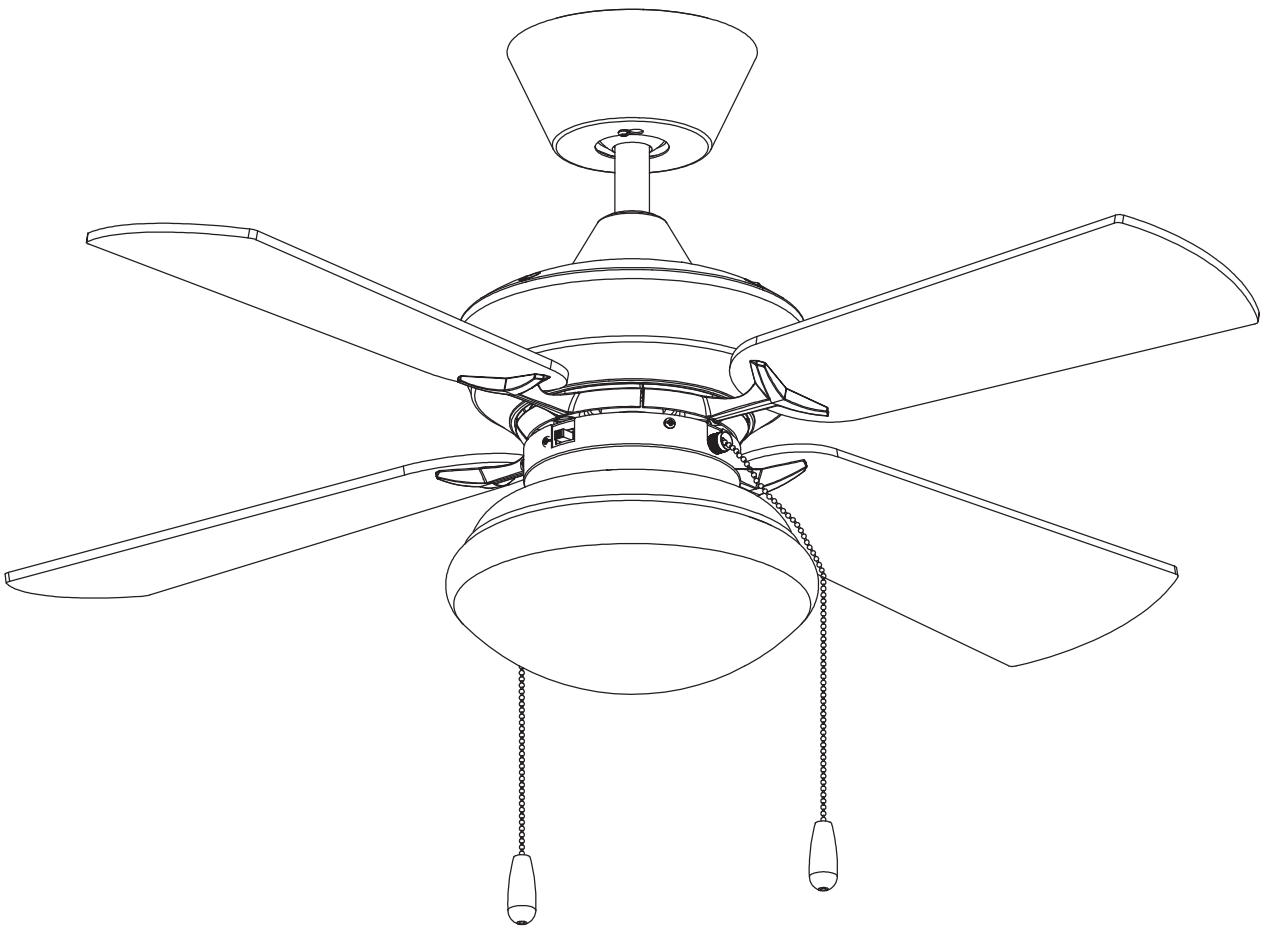
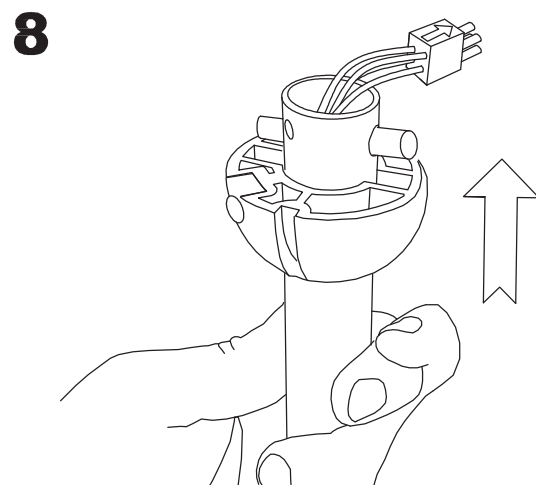
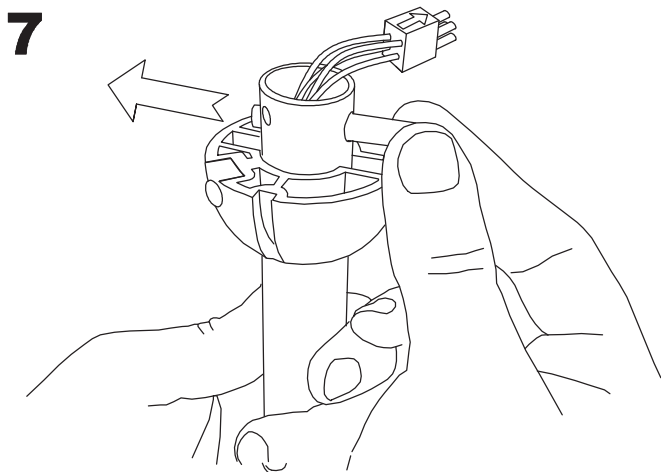
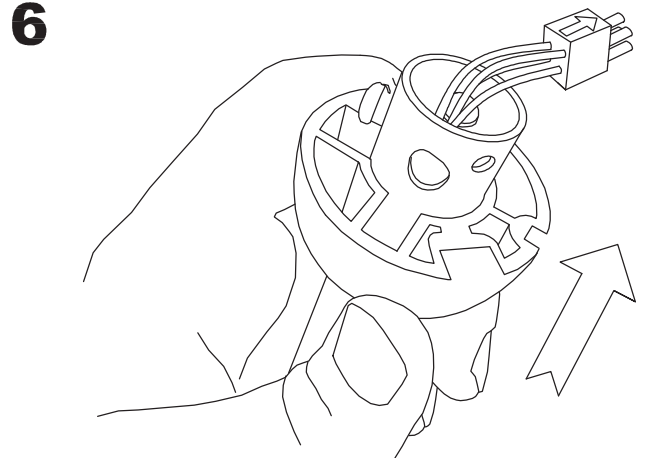
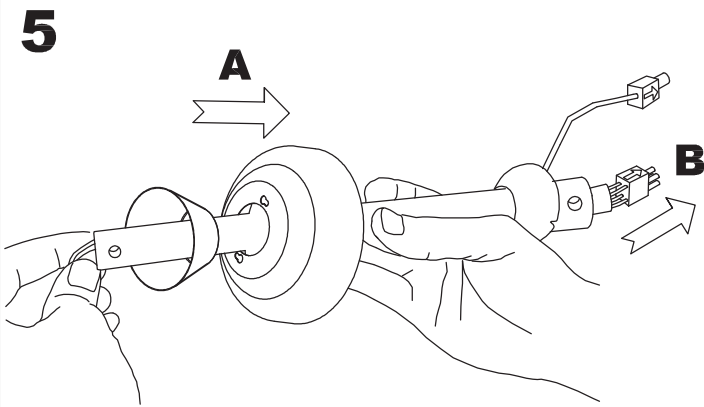
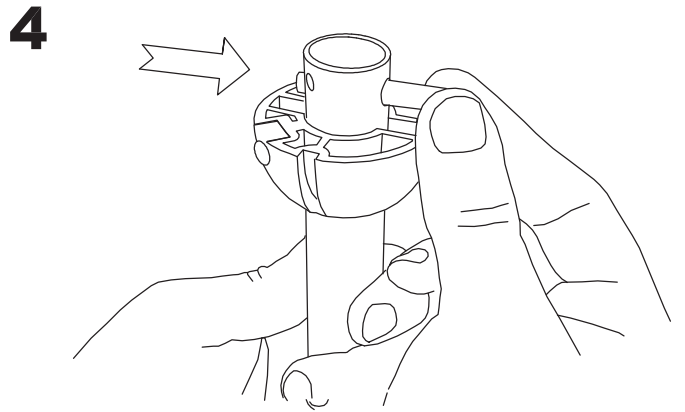
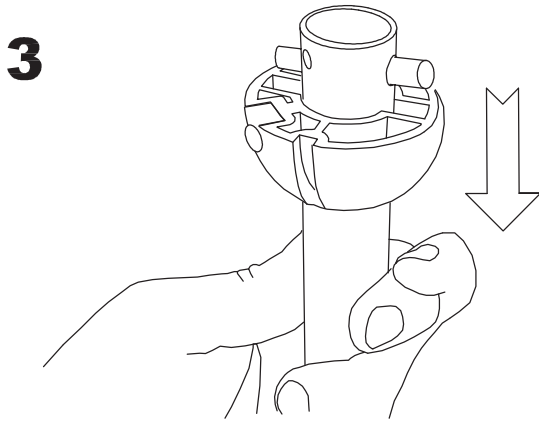
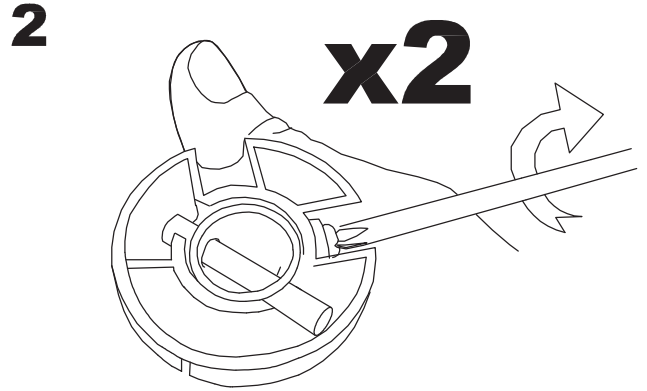
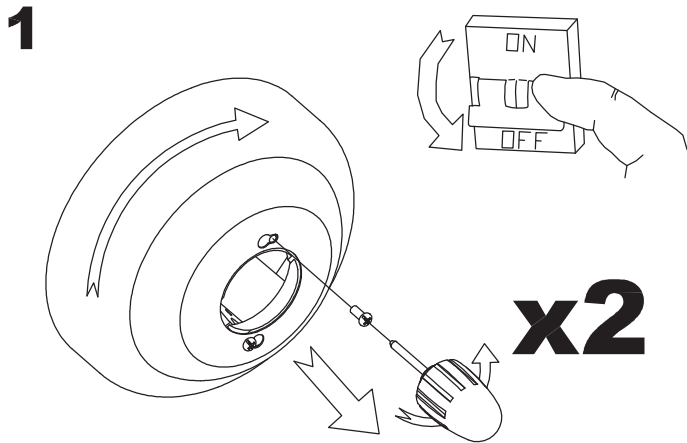


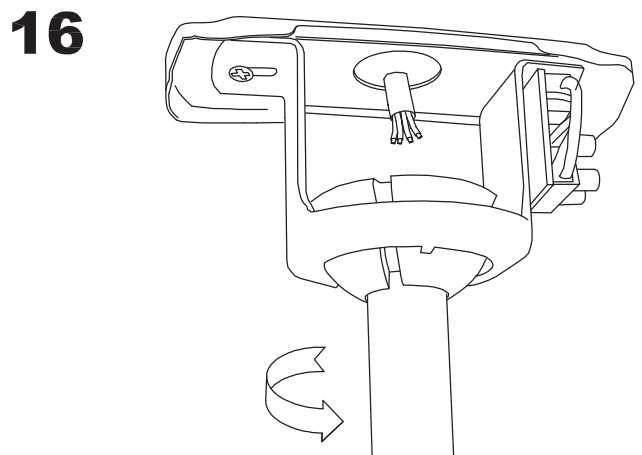
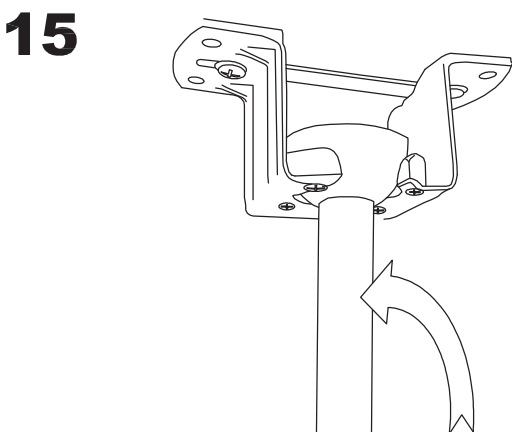
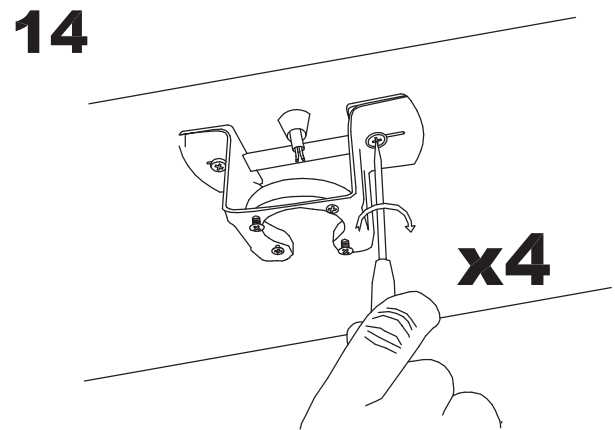
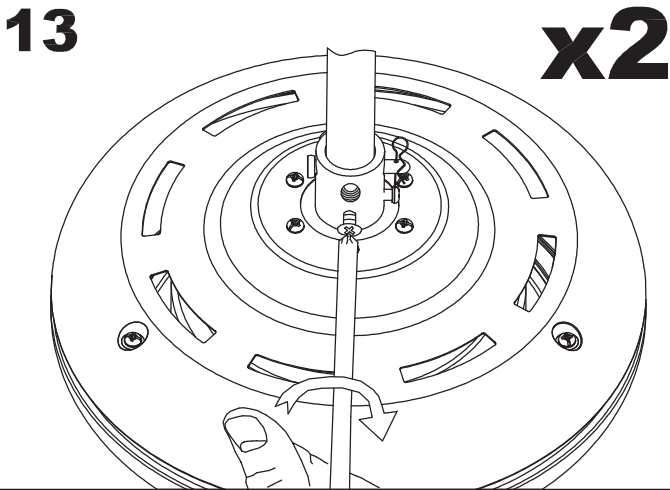
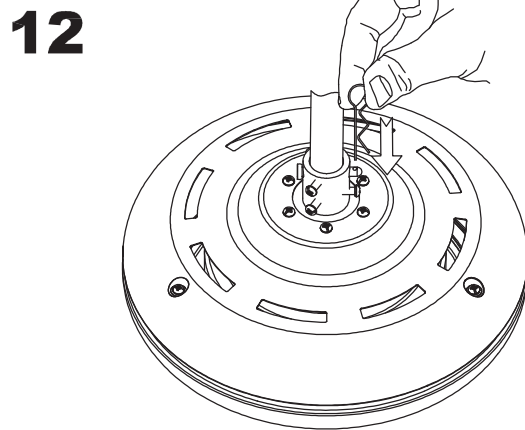
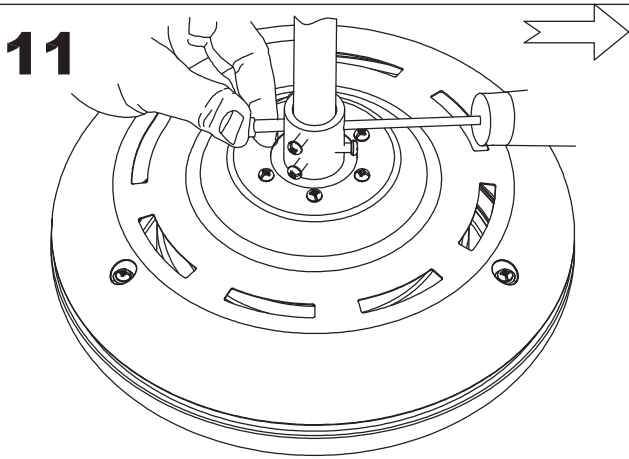
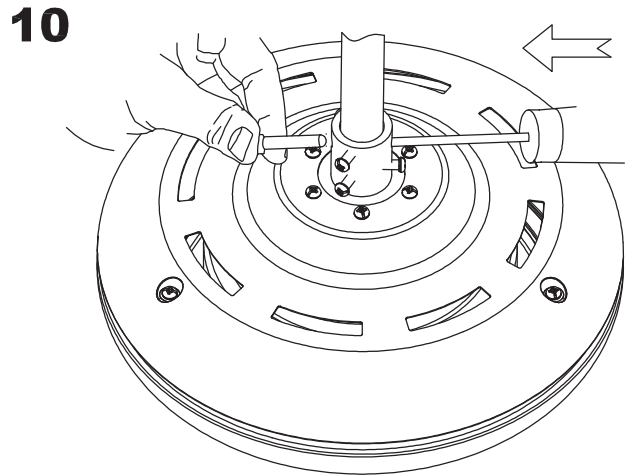
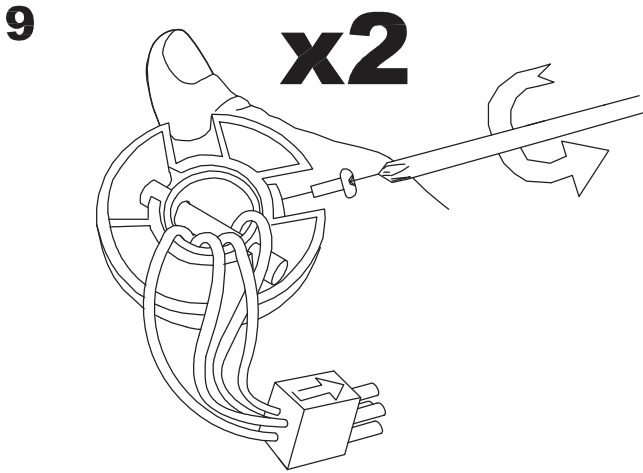


LED S-C4

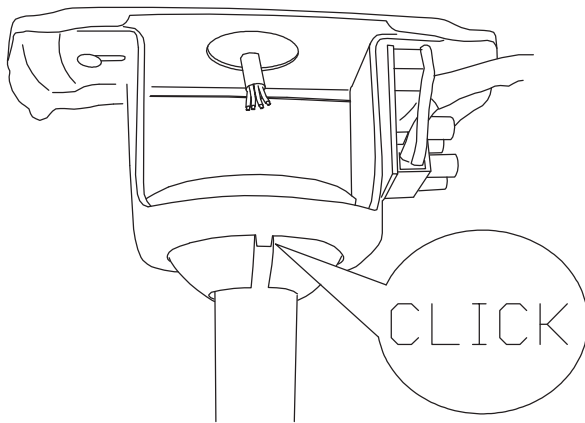
30-1854-CF-F9



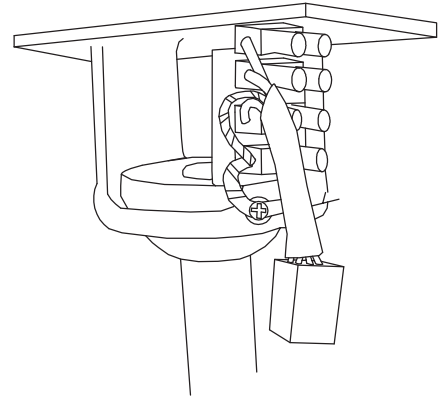




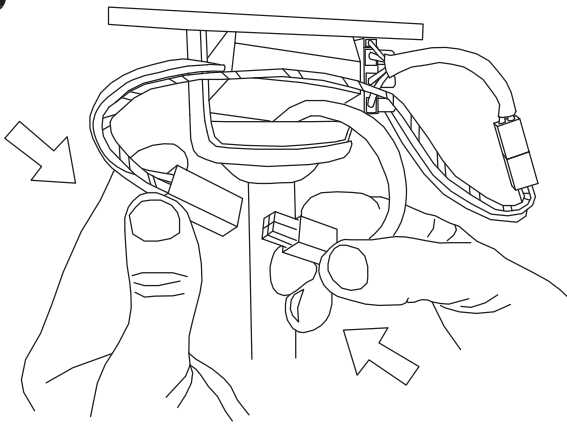
17



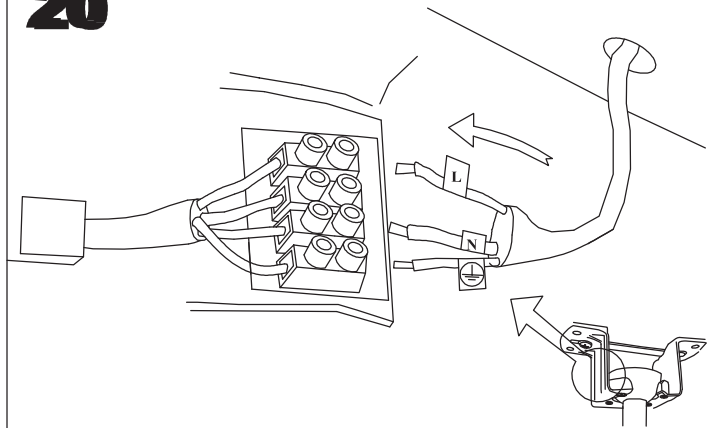
18



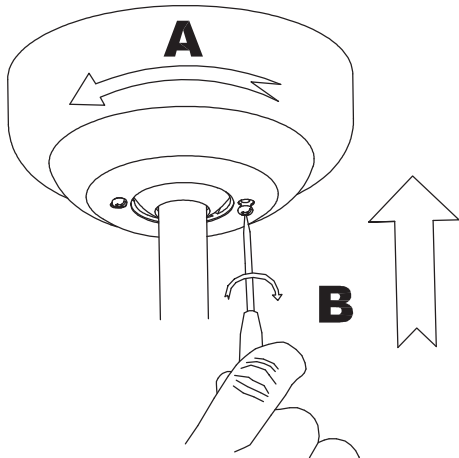
19



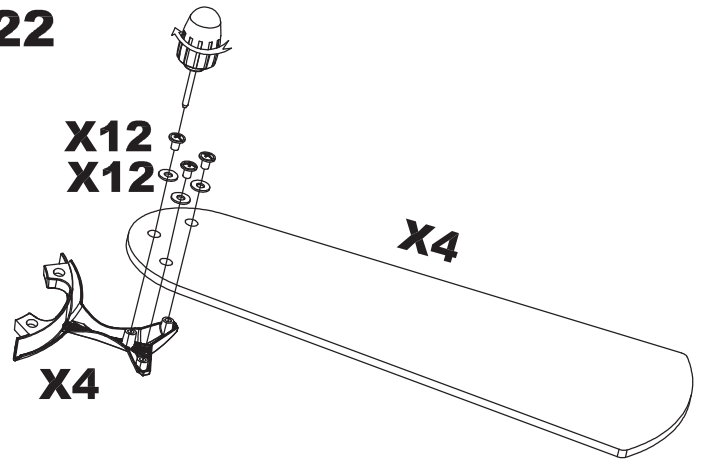
20



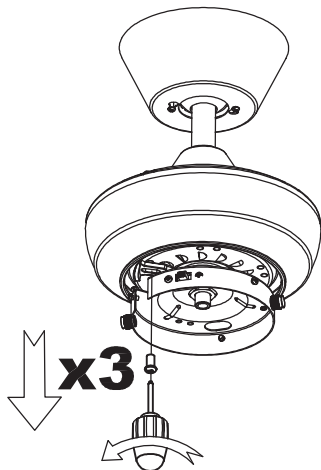
21



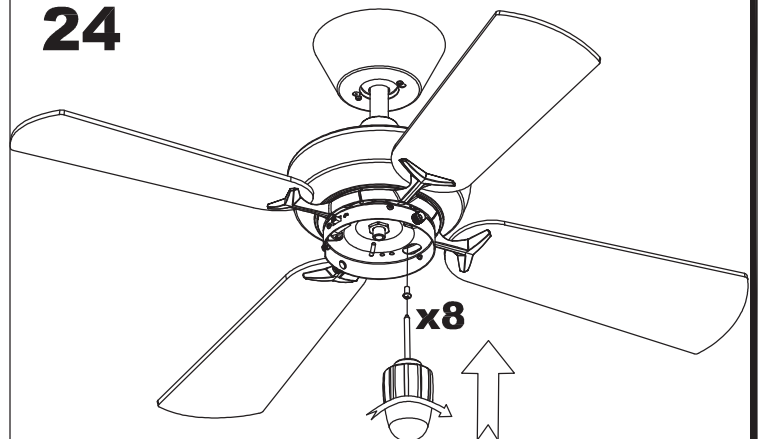
22



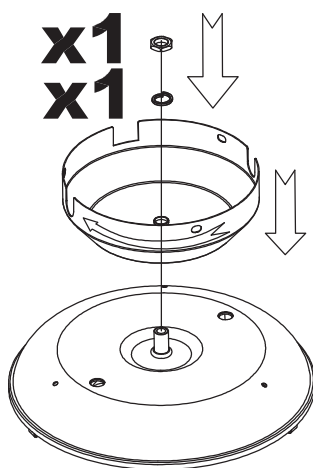
23



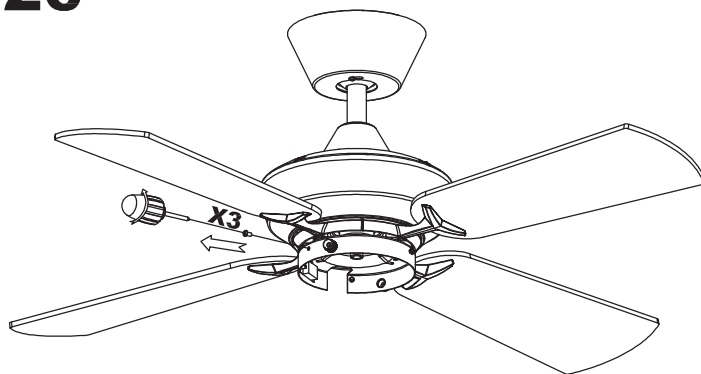
24



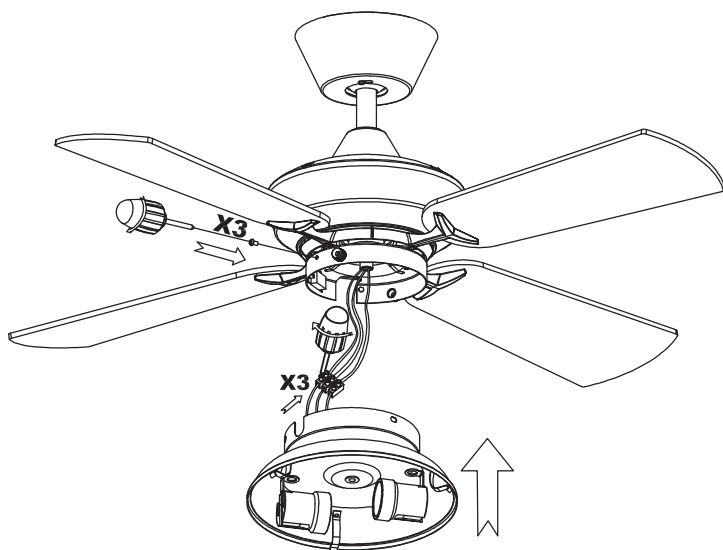
25



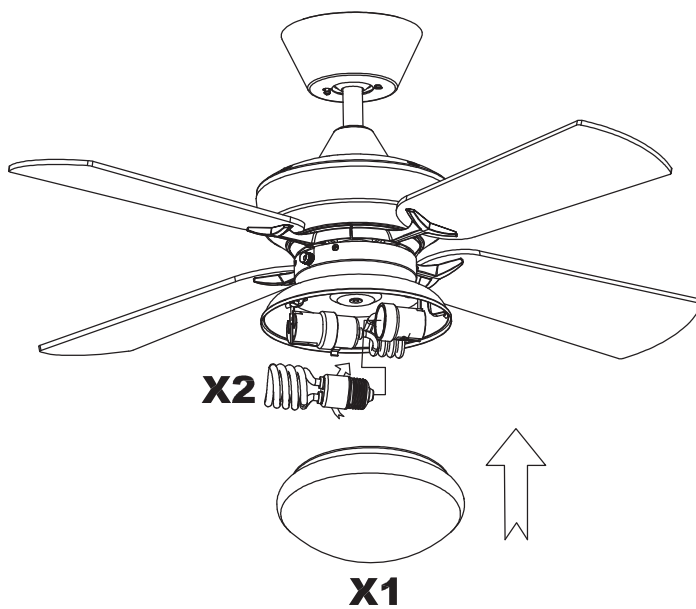
26



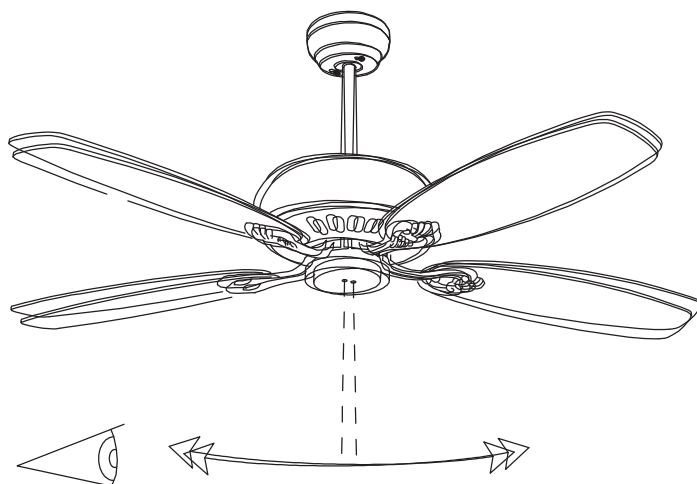
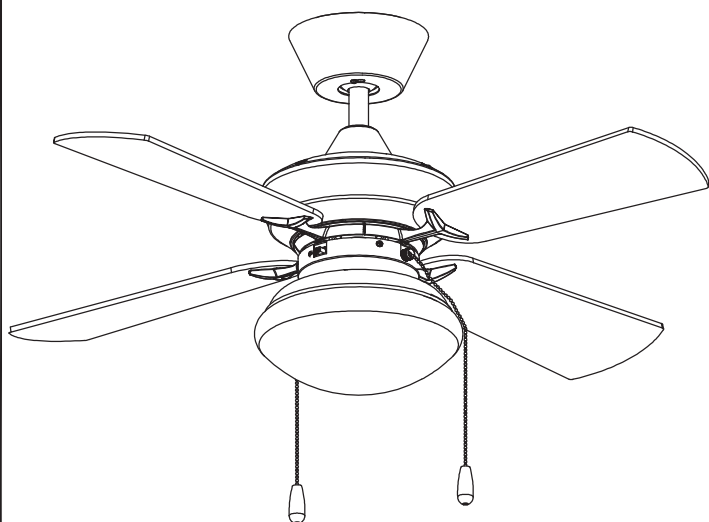
27

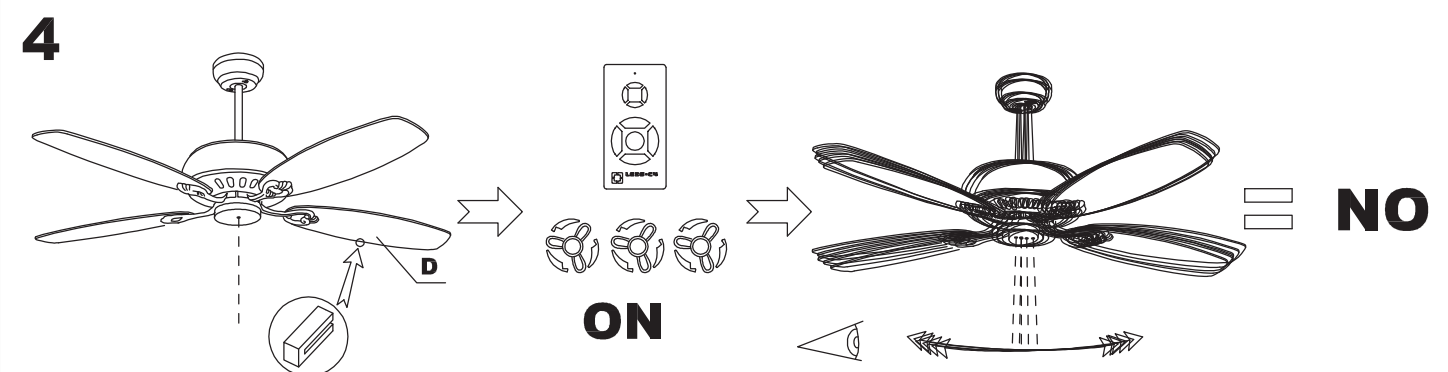
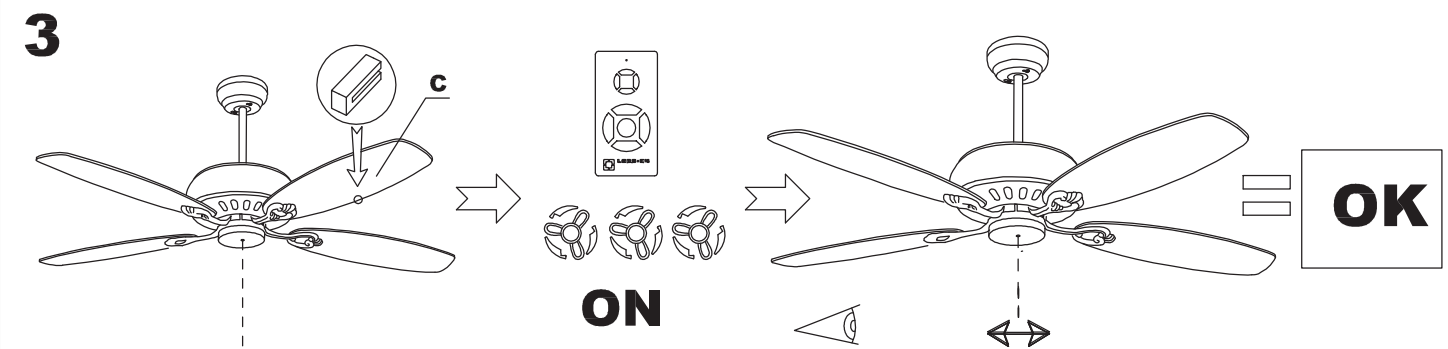
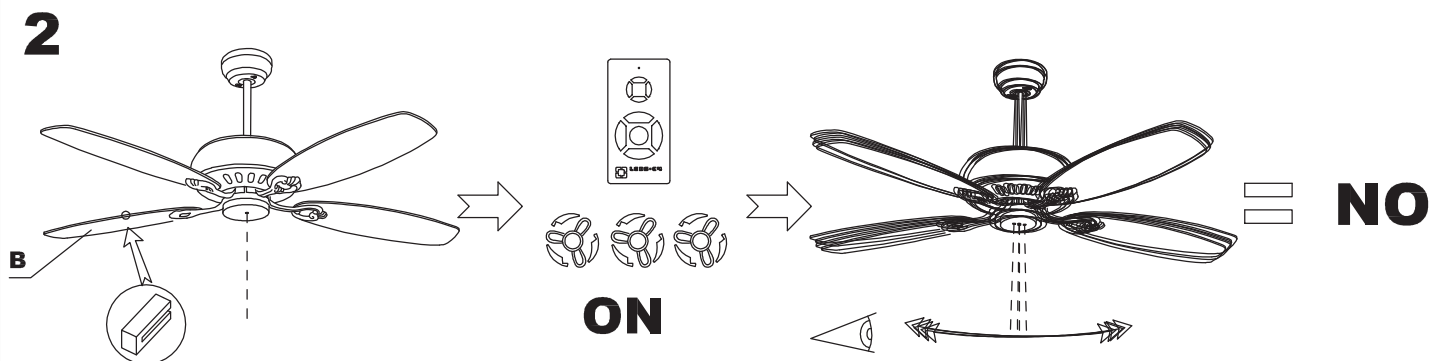
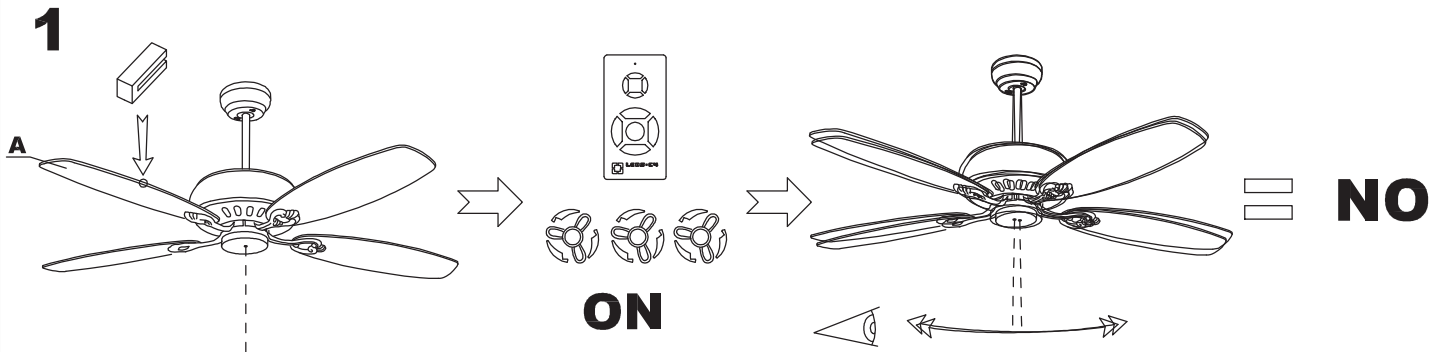
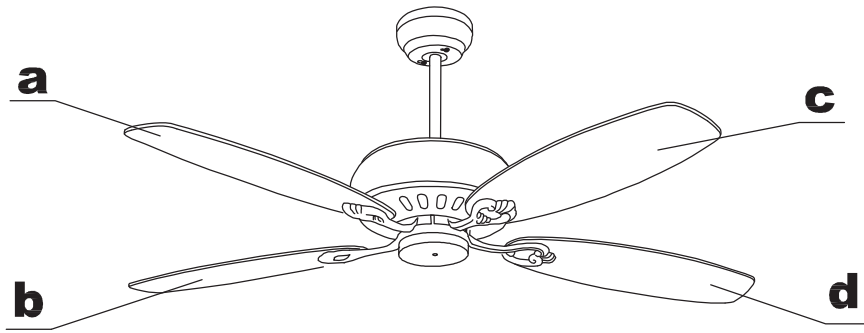


28

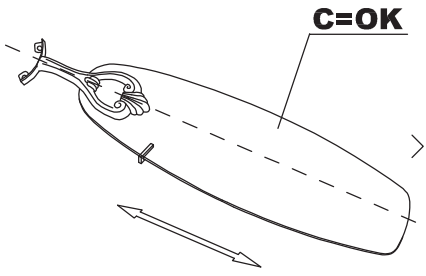


28

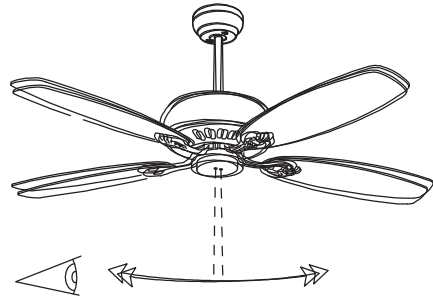




5

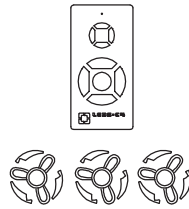
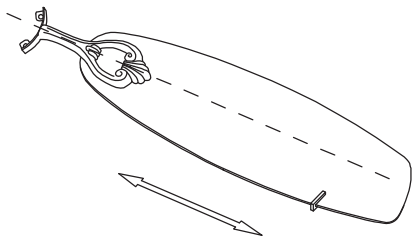


ON

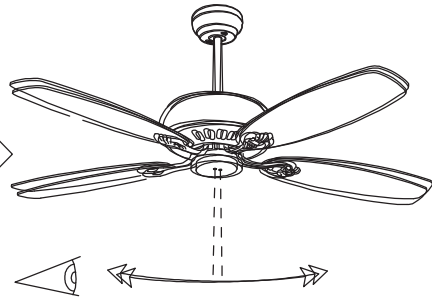


= NO

6

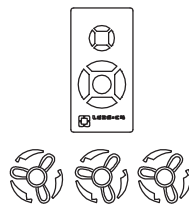
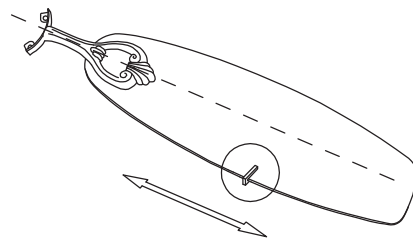


ON

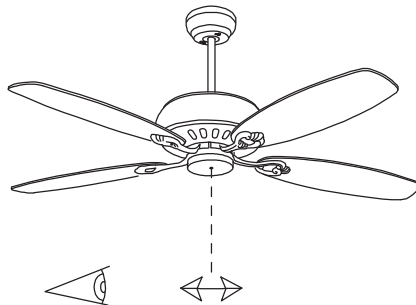


= NO

7



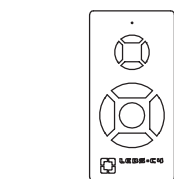
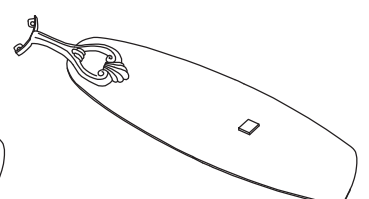
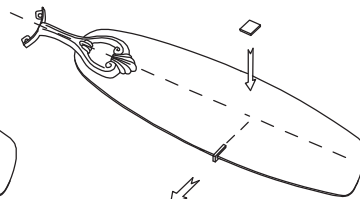
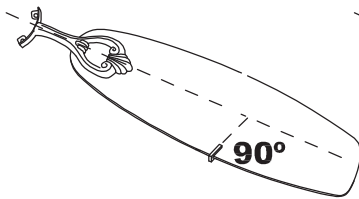
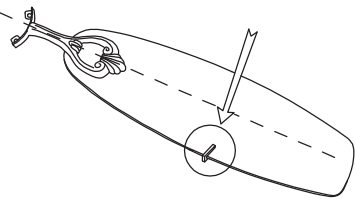
ON



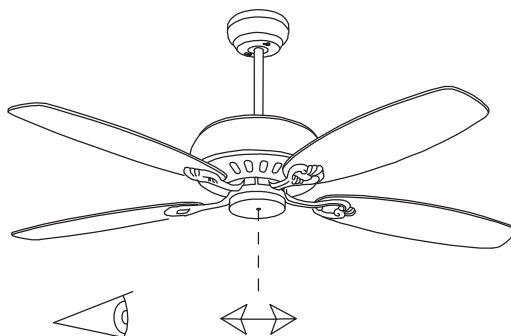
= OK

8

OK



ON



= OK