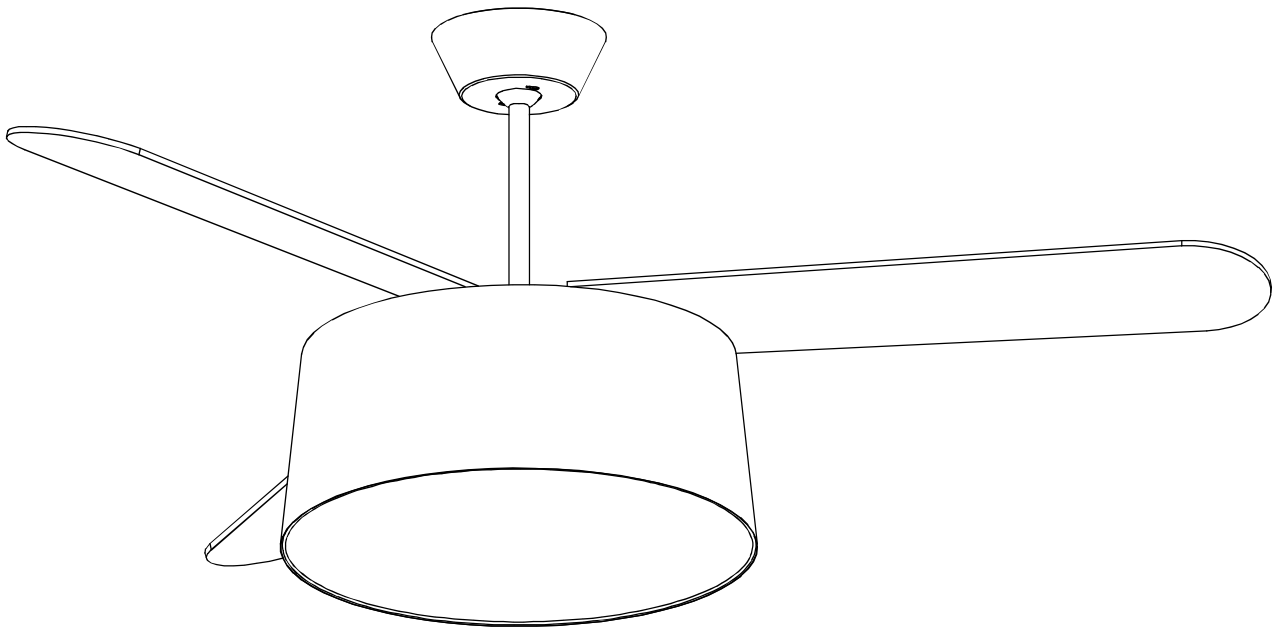
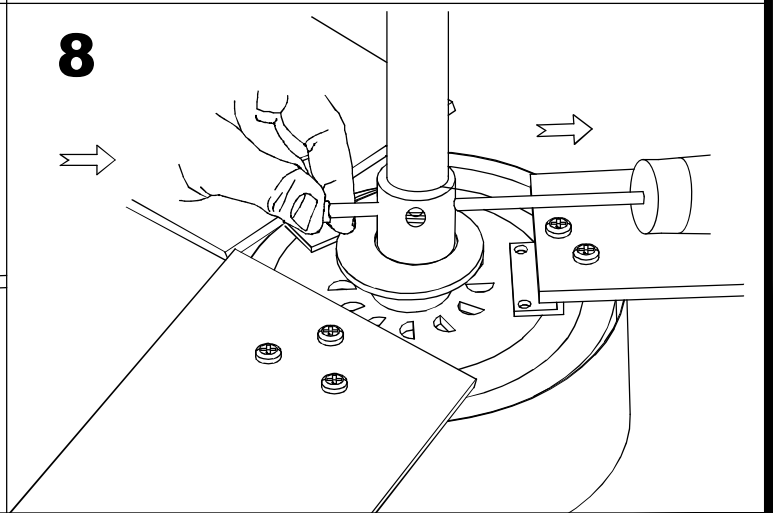
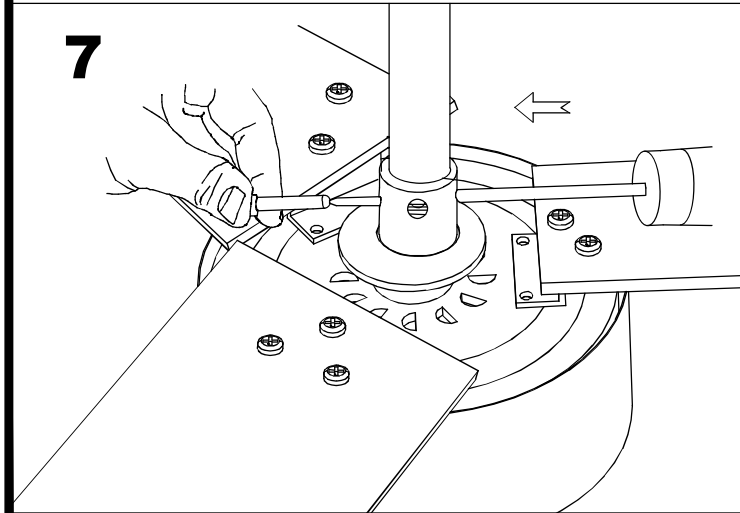
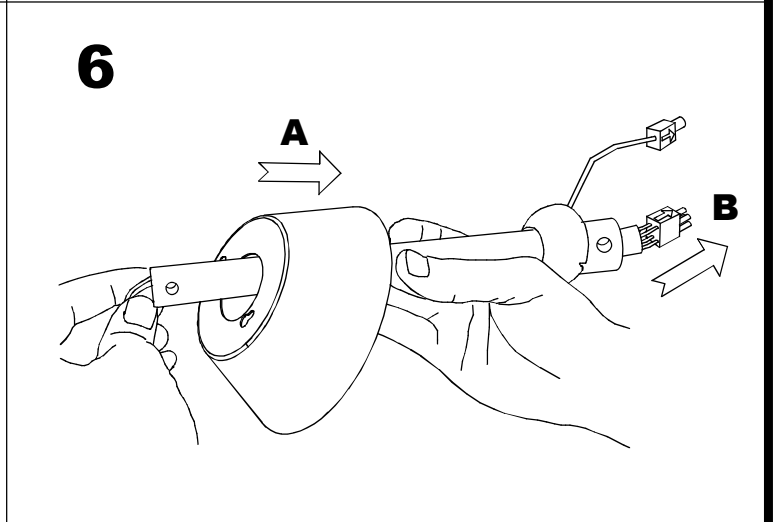
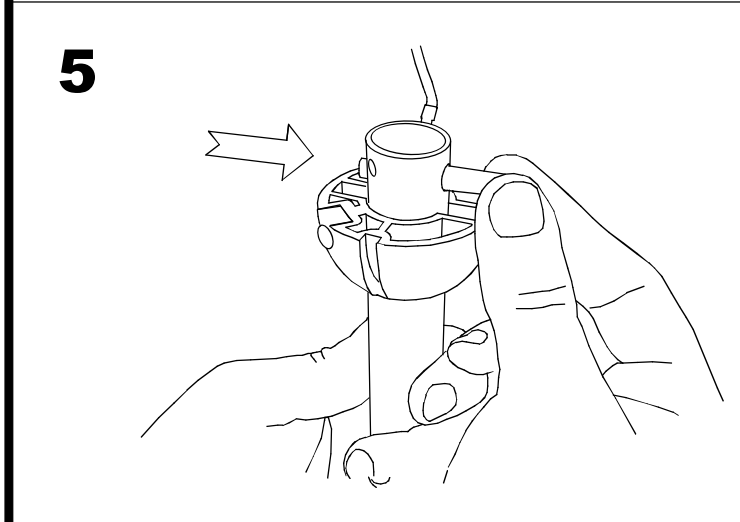
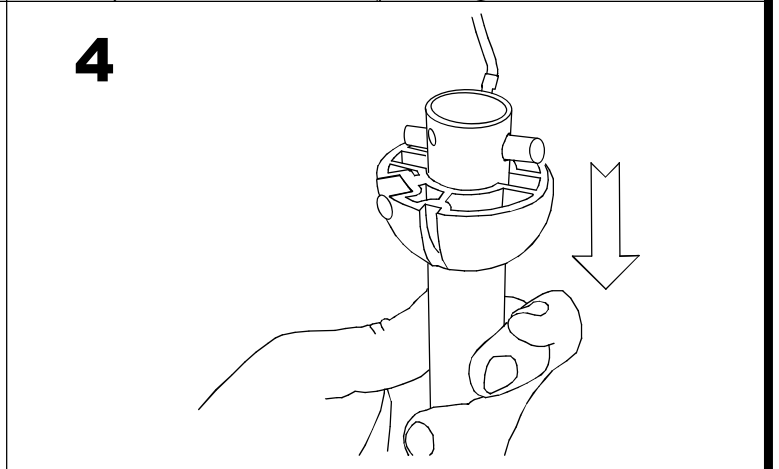
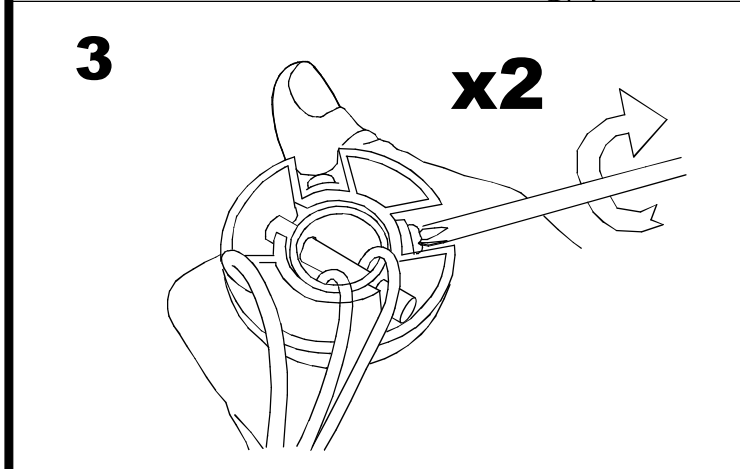
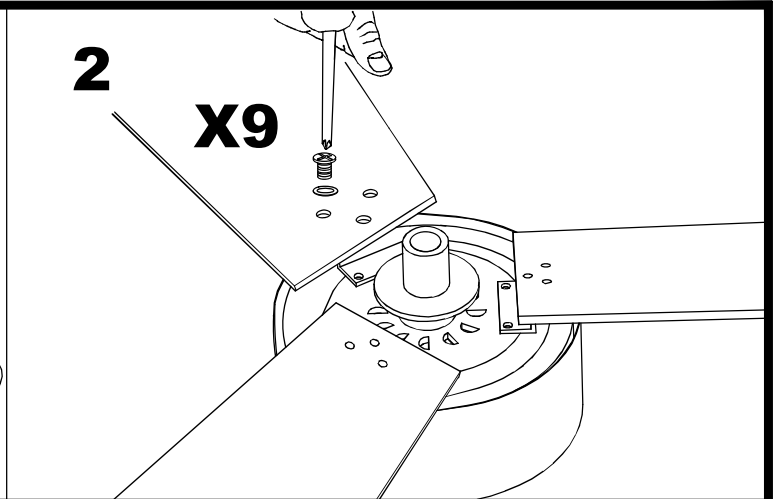
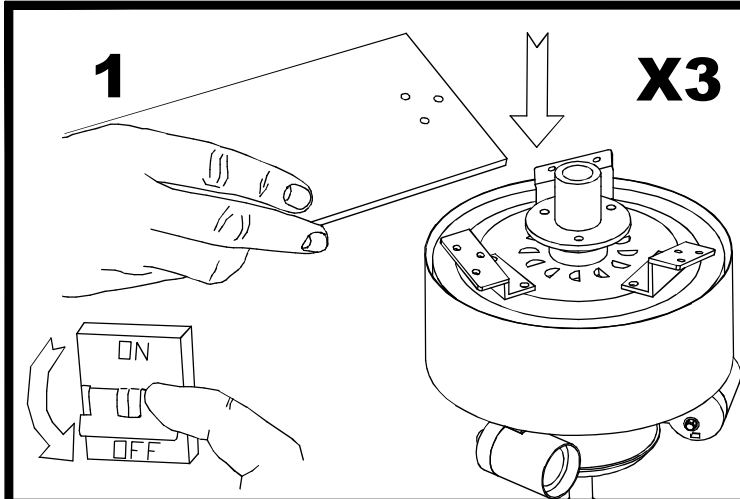
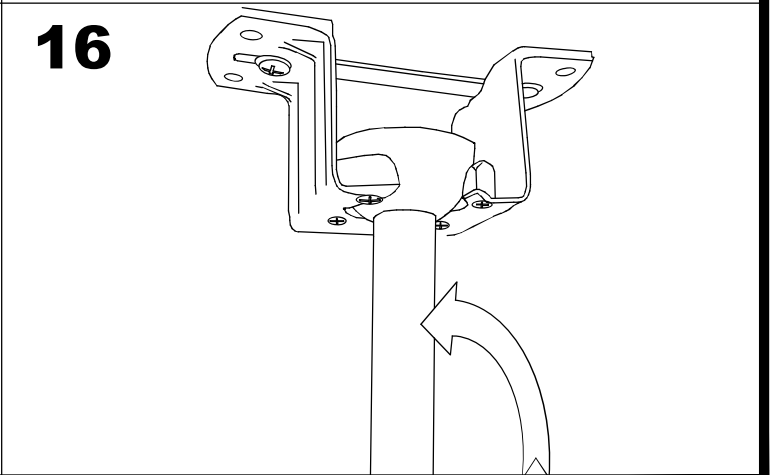
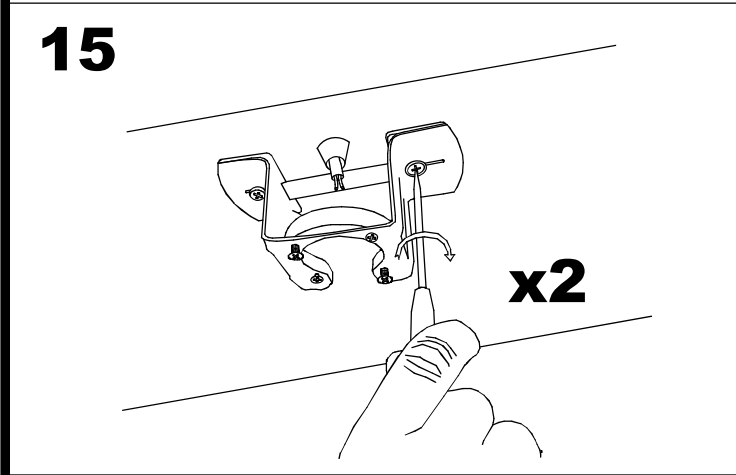
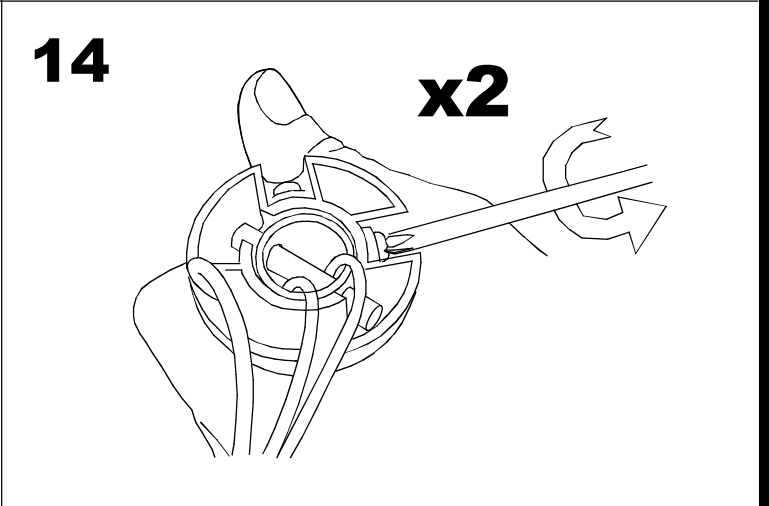
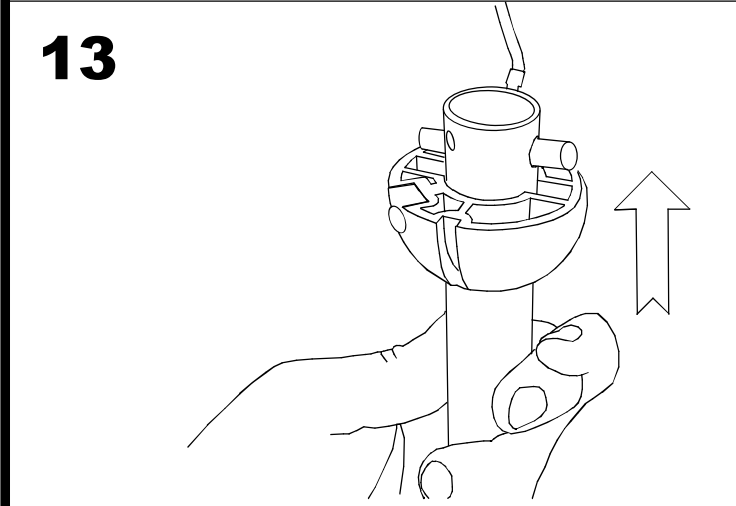
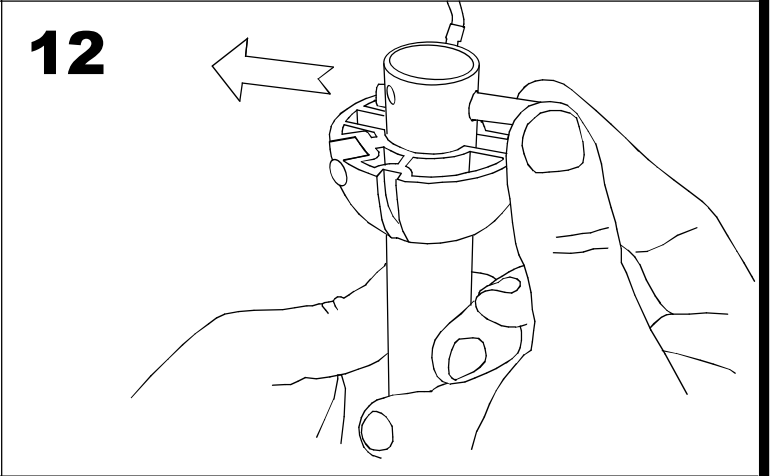
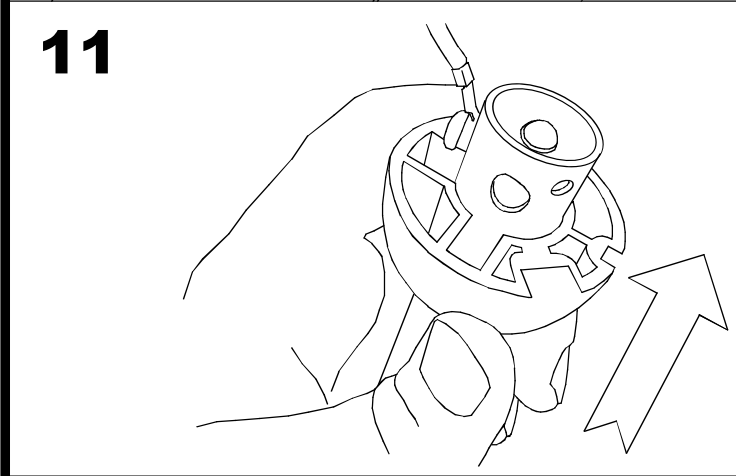
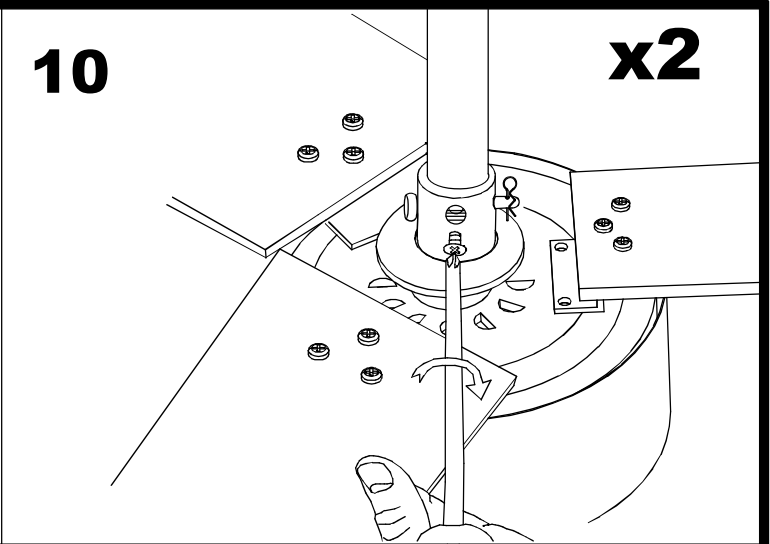
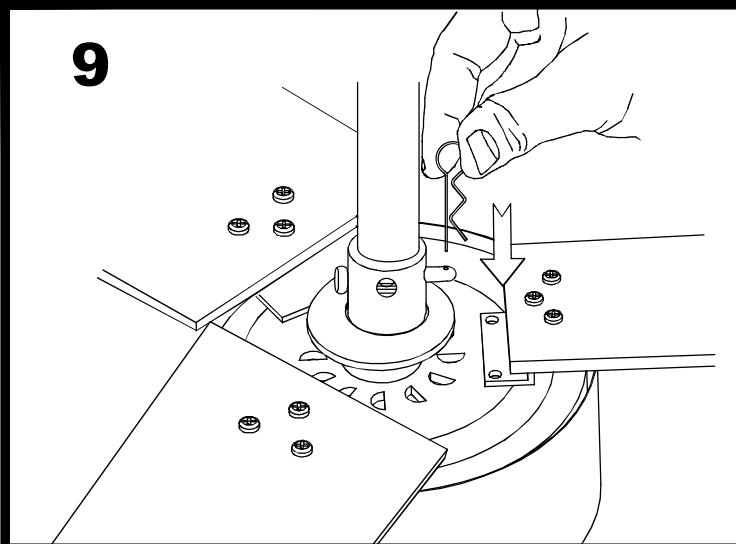


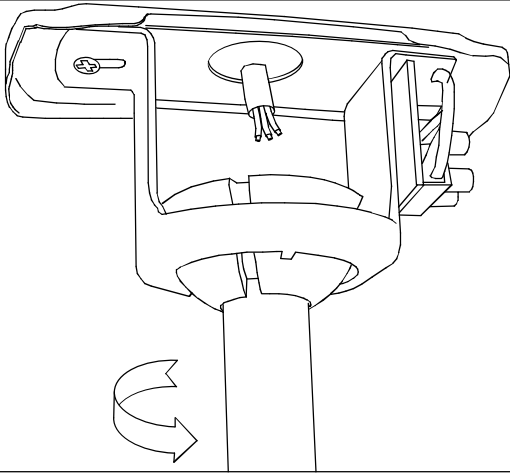
30-4357-81-82



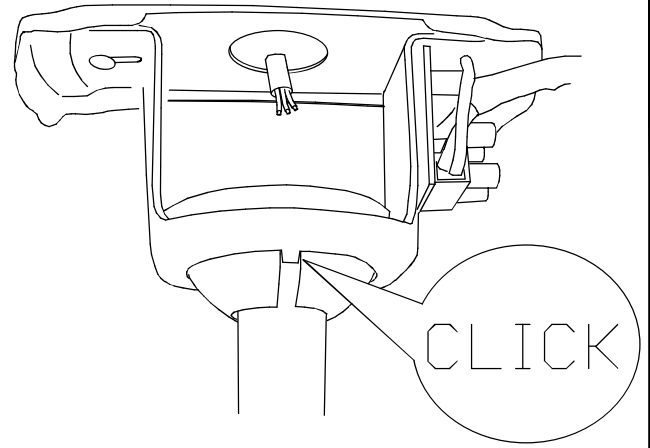




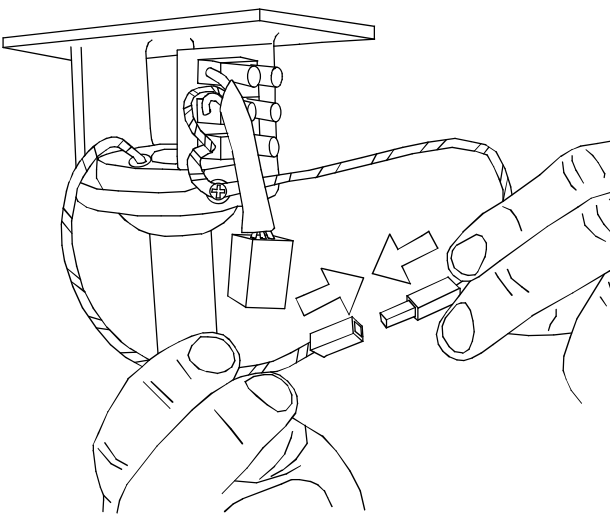
17



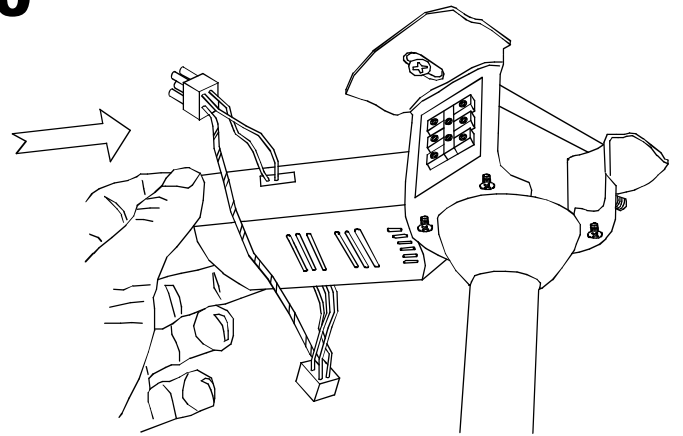
18



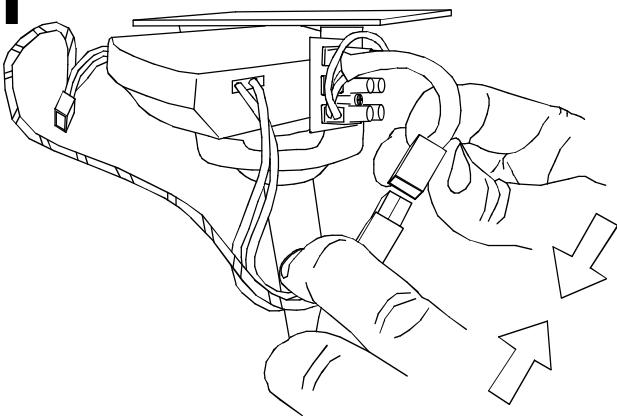
19



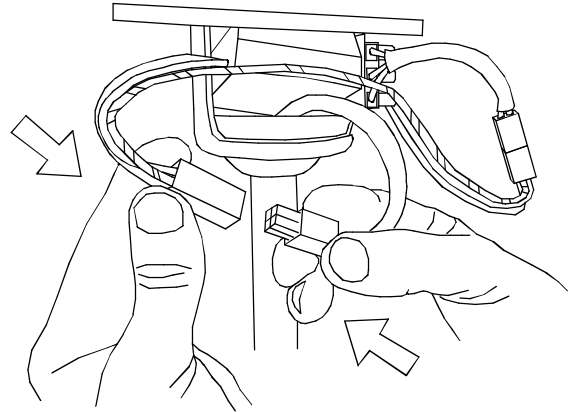
20



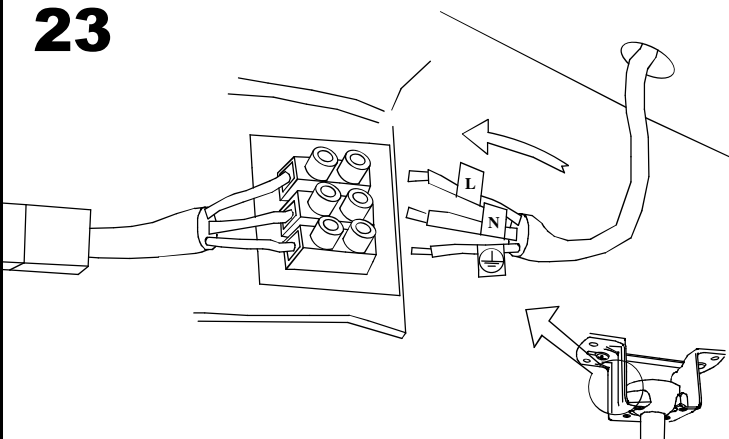
21



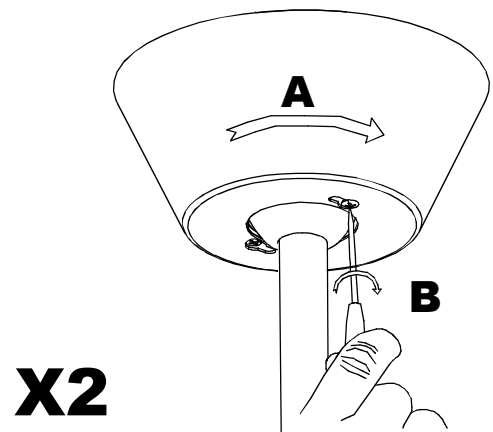
22



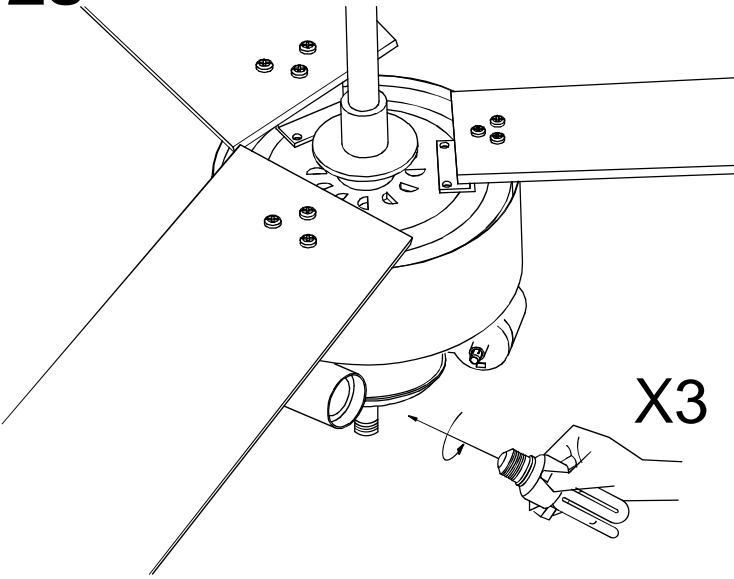
23



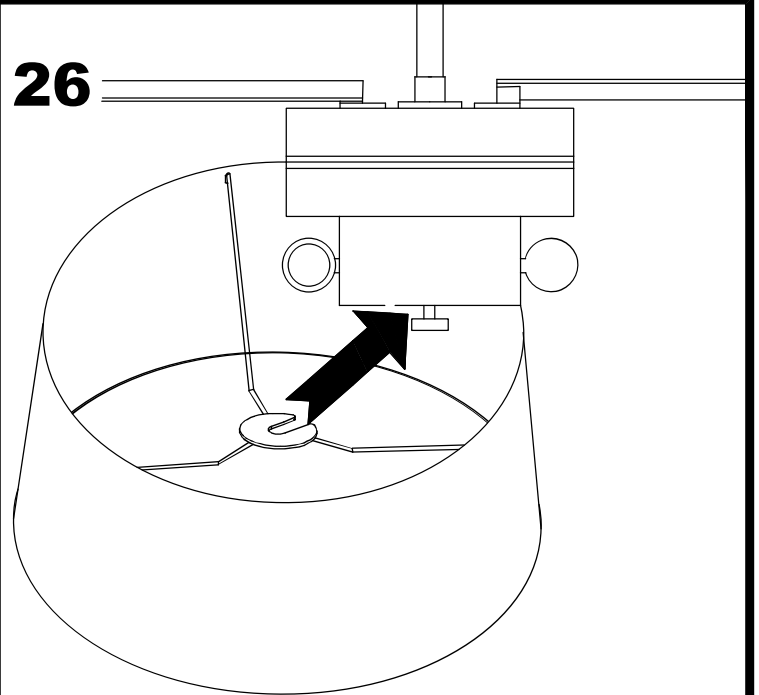
24



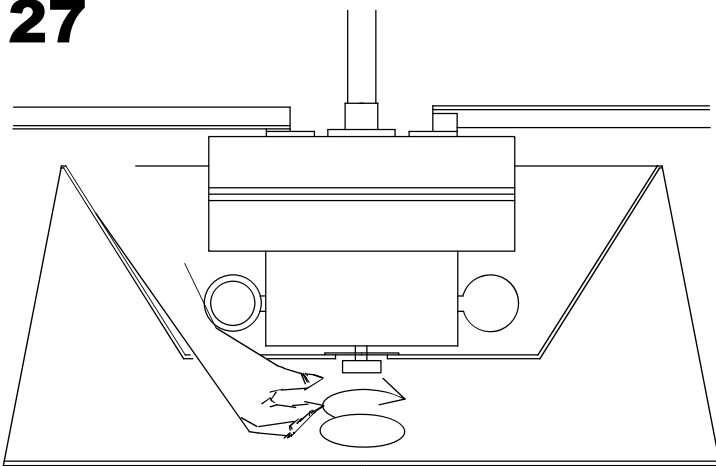
25



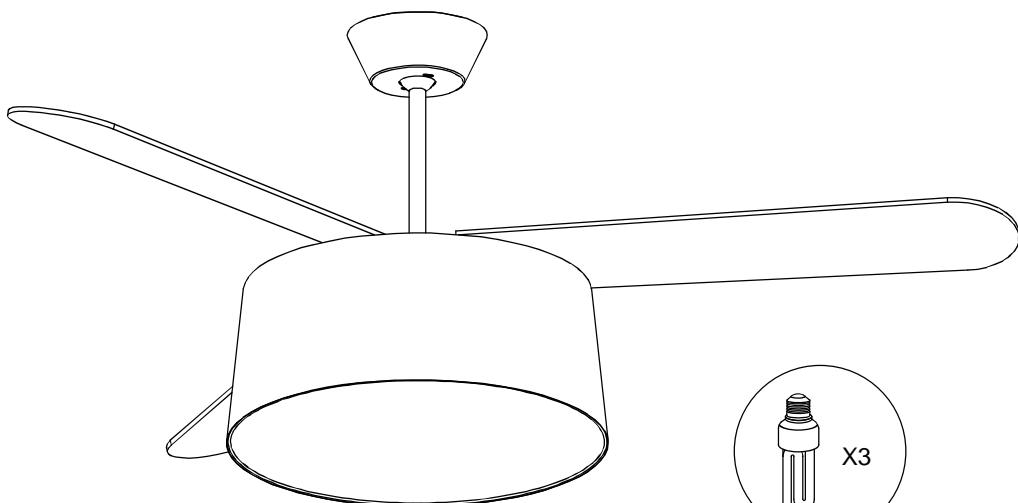
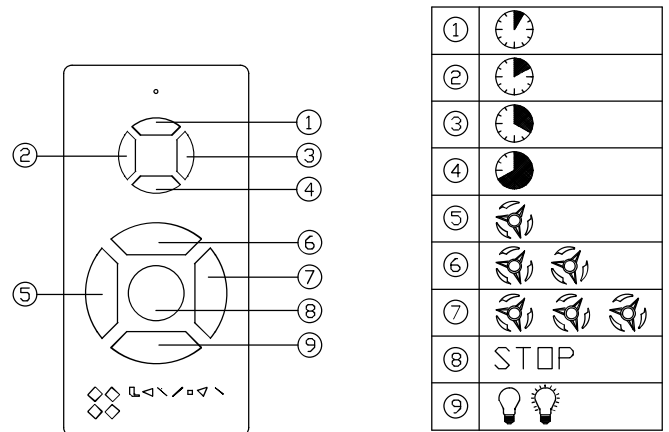
26

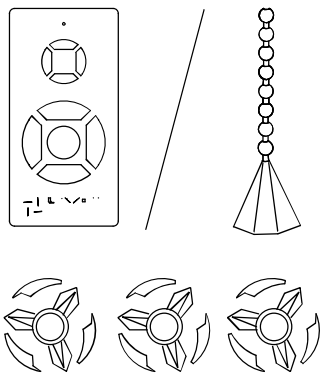
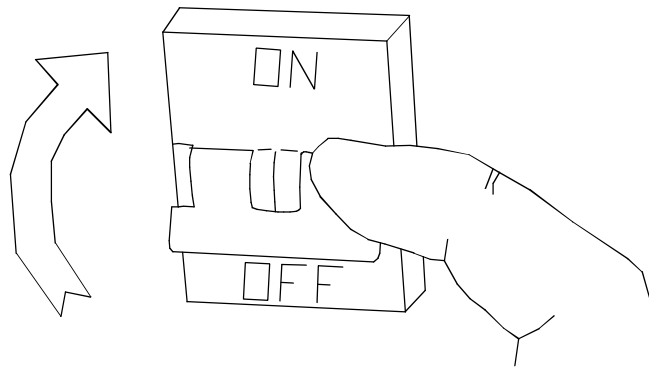


27

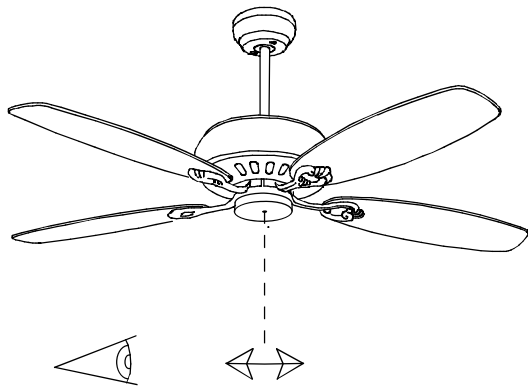


28

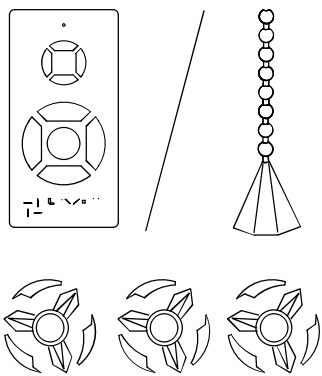




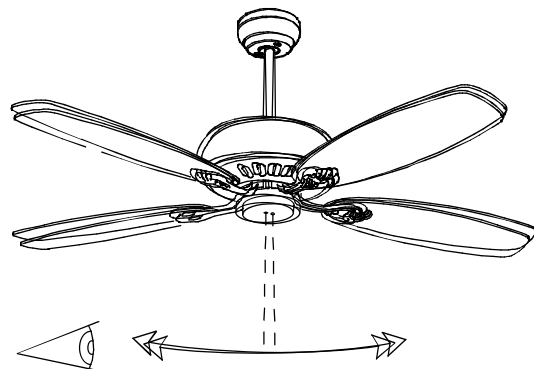
ON



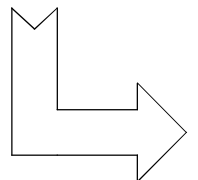
OK

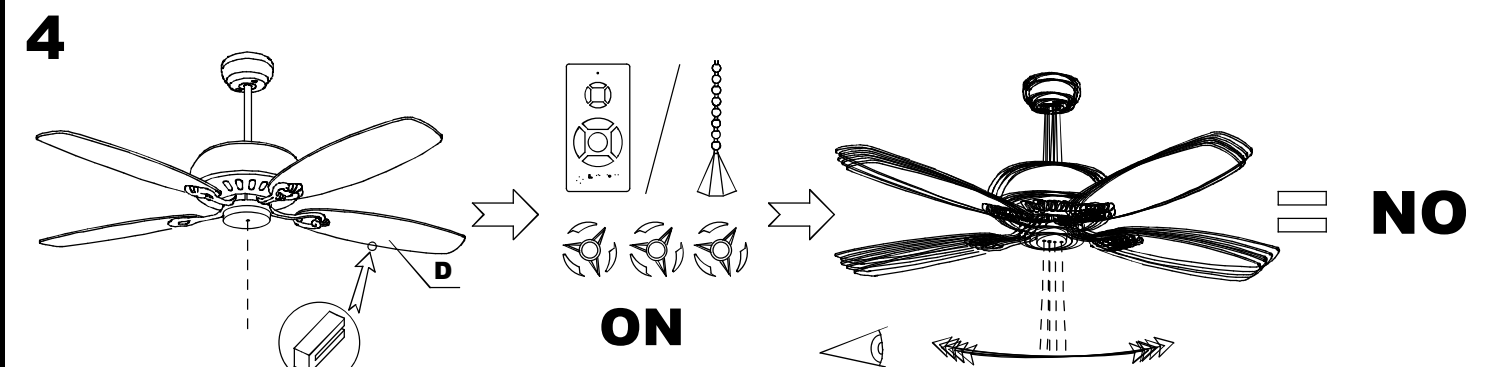
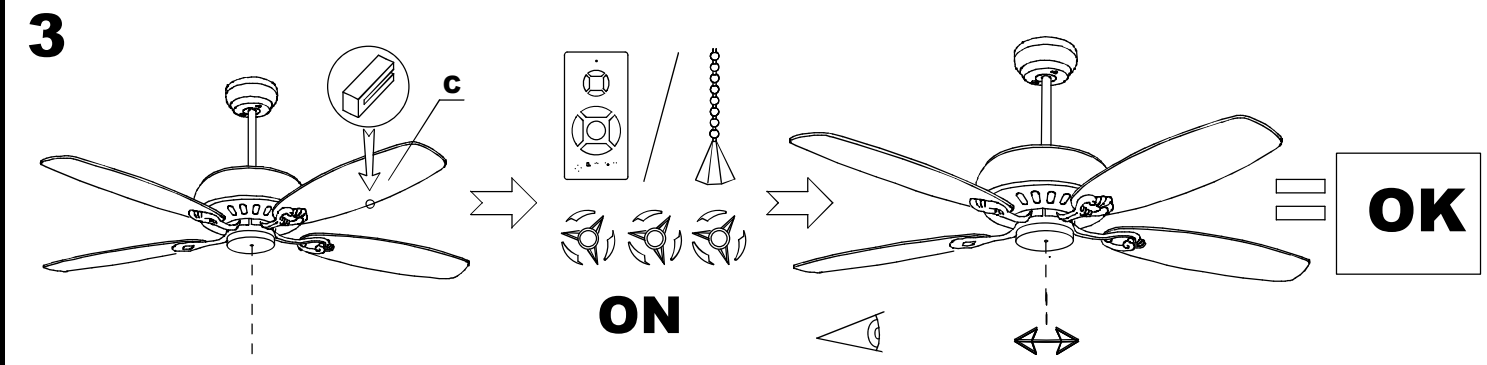
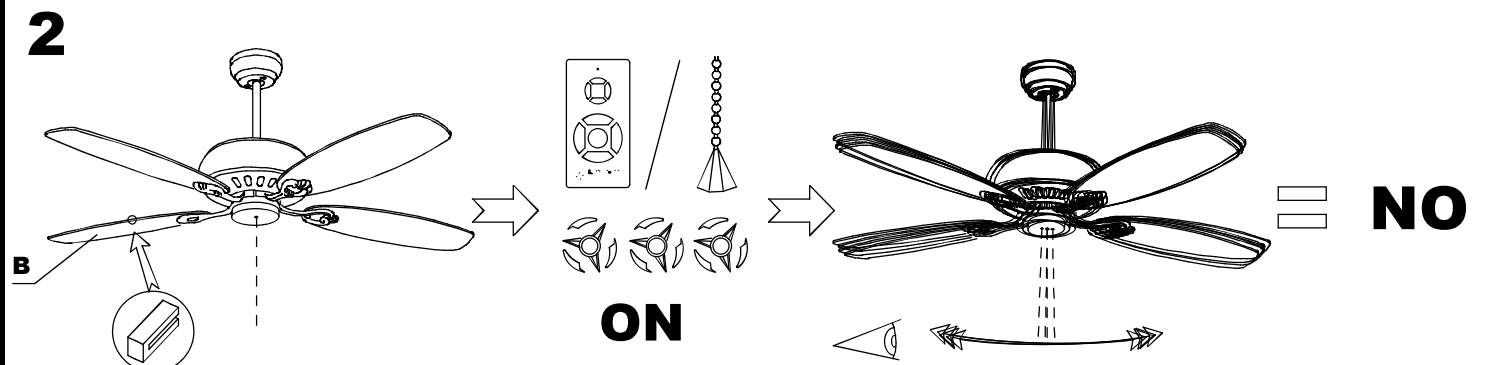
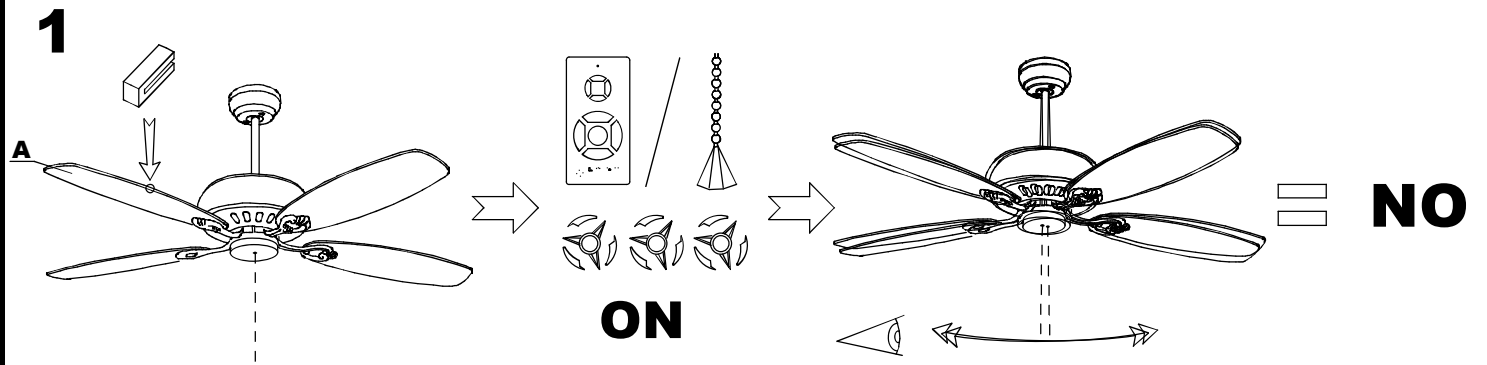
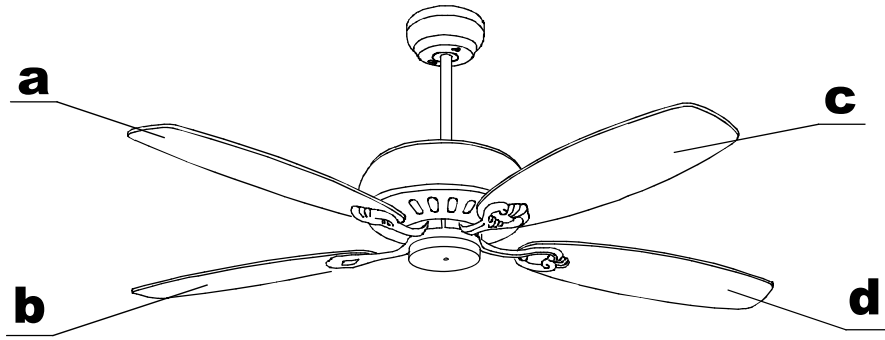


ON

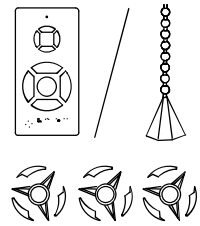
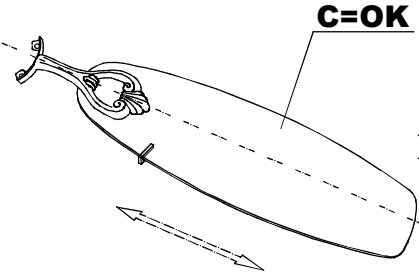


NO

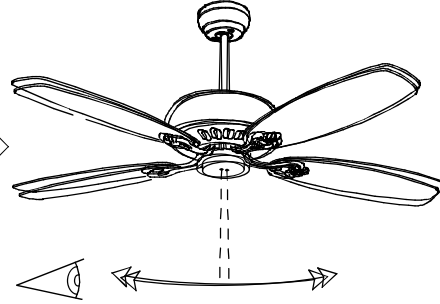




5

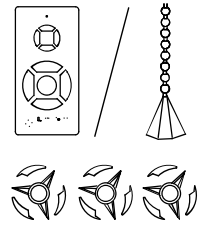
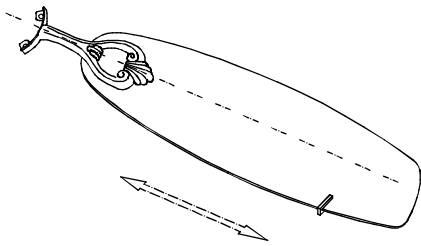


ON

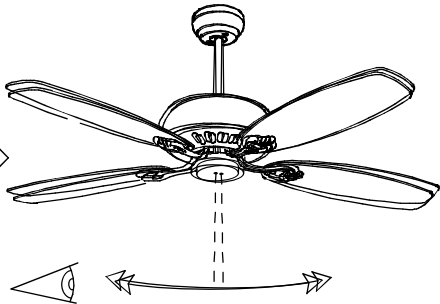


= NO

6

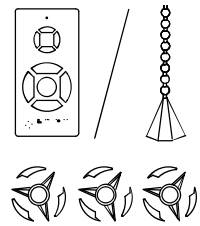
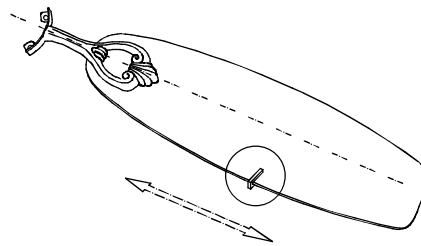


ON

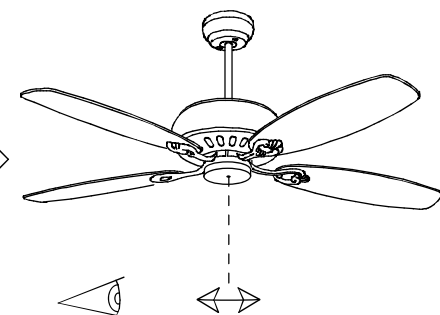


= NO

7



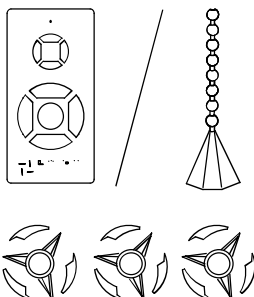
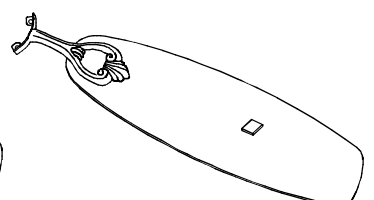
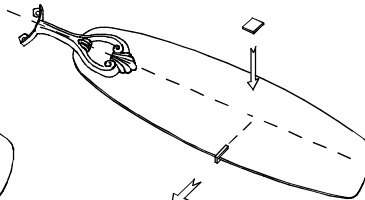
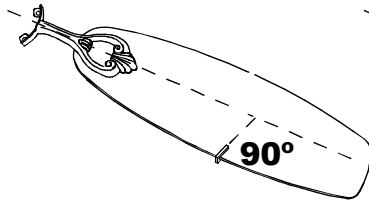
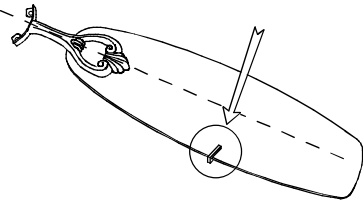
ON



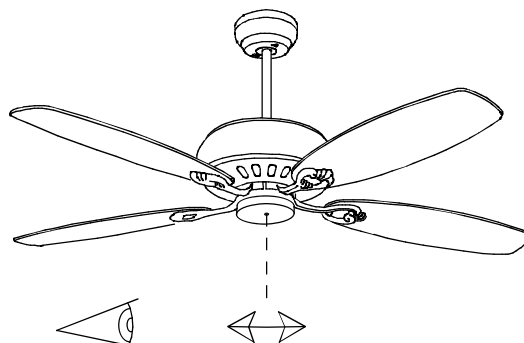
= OK

8

OK



ON



= OK